

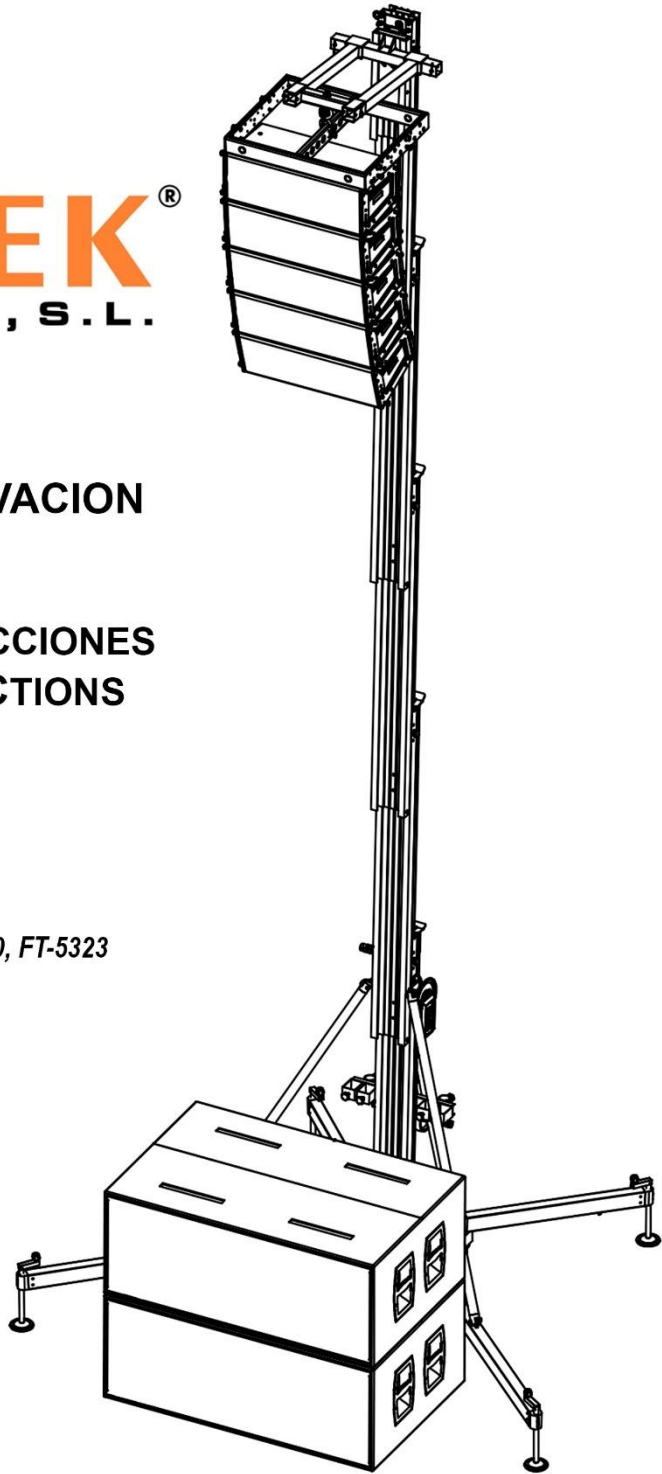
FANTEK[®]
INDUSTRIAL, S.L.

**SISTEMAS DE ELEVACION
LIFTING SYSTEMS**

**MANUAL DE INSTRUCCIONES
OPERATING INSTRUCTIONS**

**PARA MODELOS:
FOR MODELS:**

FT-6860, FT-7045, FT-6033, FT-6520, FT-5323



Rev. 11/05/2017



IMPORTANT

Read and understand precisely all points and aspects of this manual. Irresponsibly lifting loads can cause lethal accidents. Installation of lifting systems and proper use are only responsibility of the user.

It is recommended to attach this manual with tower system used.

If in doubt, consult the technical department of Fantek Industrial S.L.

CONTENT

RULES AND SAFETY USE	2
PARTS IDENTIFICATION	8
HOW TO USE. STEP BY STEP	9
ACCESSORIES	12
STANDARDS TAKEN INTO ACCOUNT	15
LOAD DATA	16
Place of the load.	16
Load table.	17
Degree of compaction load.....	20
DYNSYS SYSTEM	21
MAINTENANCE.....	22
TRANSPORT	23
With forklift.....	23
With truck or container.	24
In horizontal	25
DGUV V17/18 NORM REGULATION	26
ESPECIFICACIONES / ESPECIFICATIONS.....	52
DECLARACION DE CONFORMIDAD /	
DECLARATION OF CONFORMITY	53
MARCADO DGUV / DGUV MARK	54

CONTACT

Internet: www.fantek.es

e-mail: tecnico@fantek.net

ILLUSTRATION INDEX

Figure 1	2
Figure 2	2
Figure 3	2
Figure 4	2
Figure 5	3
Figure 6	3
Figure 7	3
Figure 8	3
Figure 9	4
Figure 10	4
Figure 11	4
Figure 12	4
Figure 13	5
Figure 14	5
Figure 15	5
Figure 16	5
Figure 17	6
Figure 18	6
Figure 19	6
Figure 20	6
Figure 21	7
Figure 22	8
Figure 23	9
Figure 24	9
Figure 25	9
Figure 26	9
Figure 27	10
Figure 28	10
Figure 29	10
Figure 30	10
Figure 31	11
Figure 32	12
Figure 33	13
Figure 34	13
Figure 35	14
Figure 36	14
Figure 37	15
Figure 38	16
Figure 39	16
Figure 40	17
Figure 41	18
Figure 42	19
Figure 43	19
Figure 44	20
Figure 45	20
Figure 46	21
Figure 47	22
Figure 48	23
Figure 49	24
Figure 50	25

RULES AND SAFETY USE

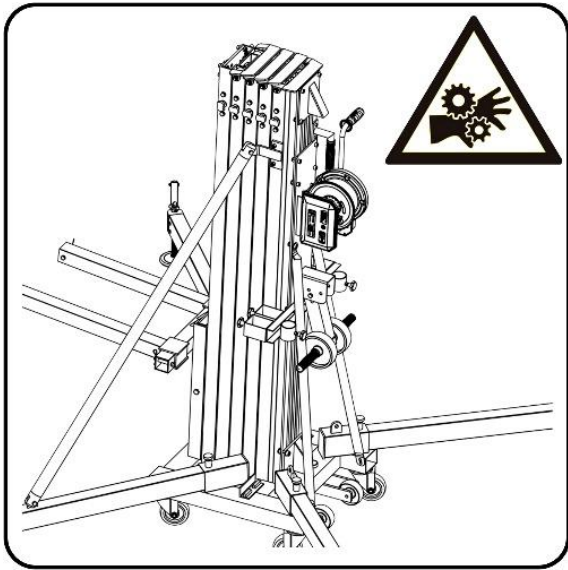


Figure 1

Keep hands and fingers away from moving parts of the tower.

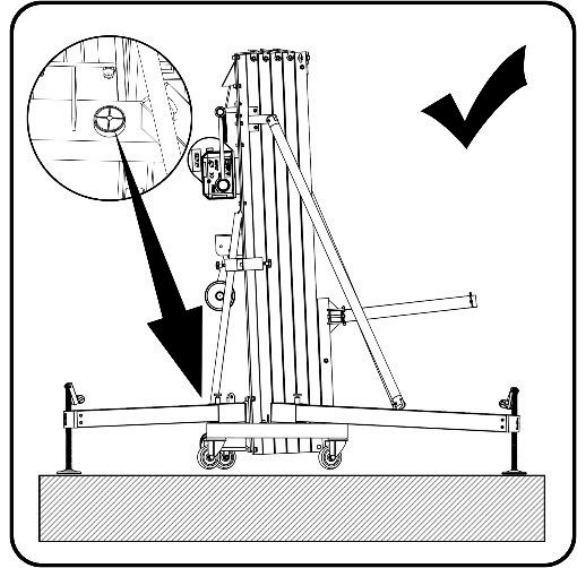


Figure 3

Do not lift the tower without proper leveling. To lift a load, the tower must always be stabilized. The wheels must not touch the ground.

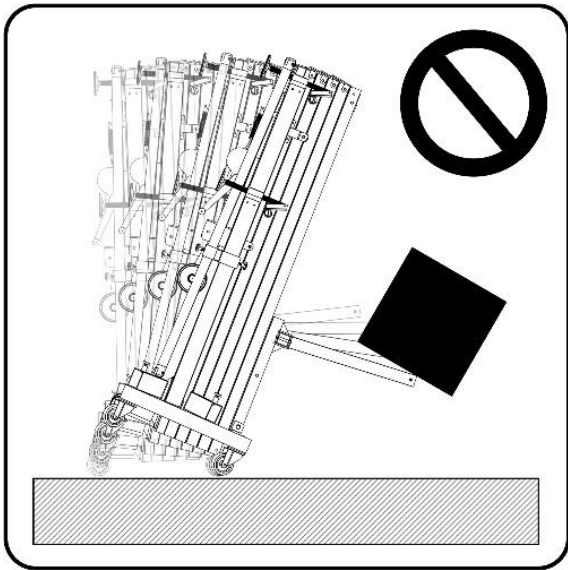


Figure 2

Not charge the tower without the legs stabilizers lowered.

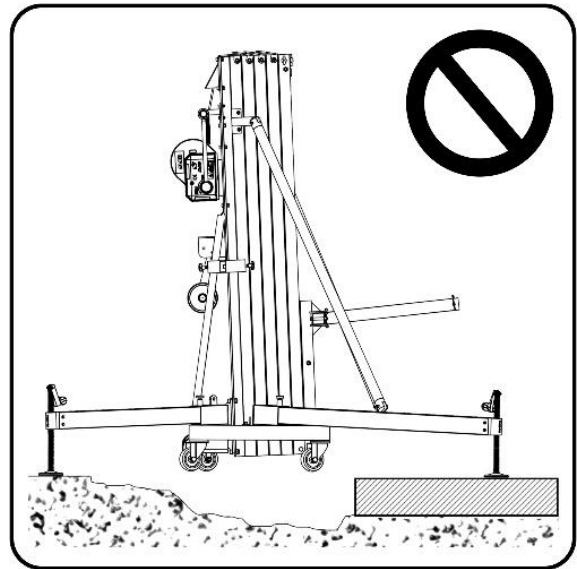


Figure 4

Place the tower on a stable Surface.

If the ground has a low degree of compaction (earth, gravel, etc..) consult the section of load data.

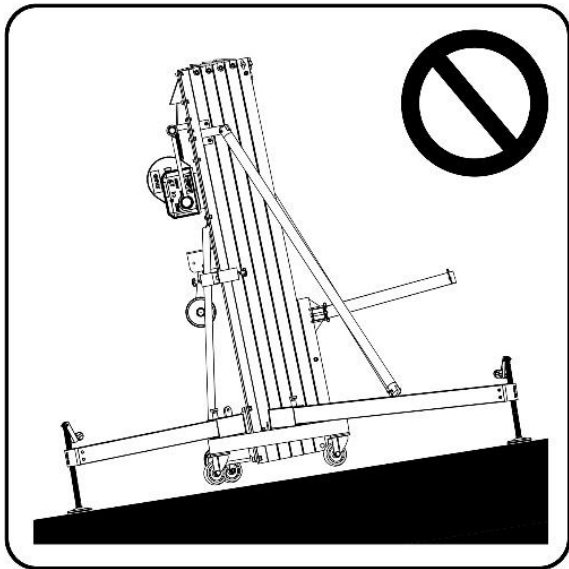


Figure 5

Do not use the tower on tilted surfaces that require pieces to level the tower.

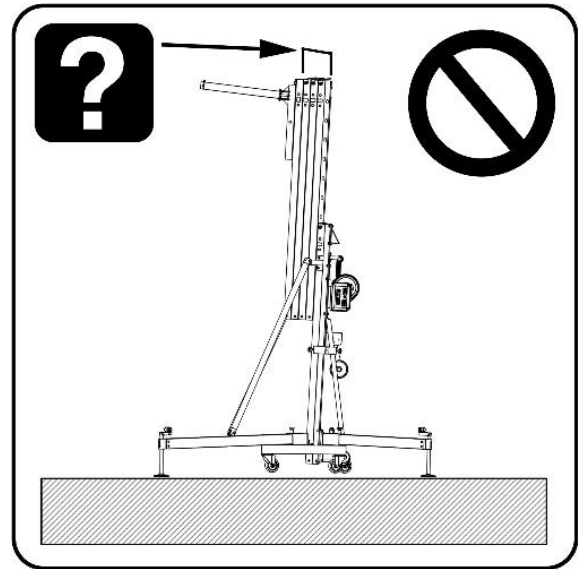


Figure 7

Lift the mast in the correct order.

Lift the mast of the tower starting always for the carried. The last mast lifted has to be the next to the section where the winch is placed.

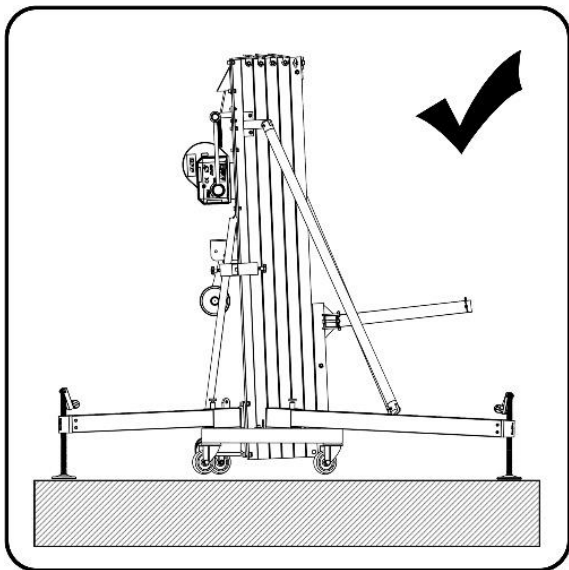


Figure 6

Mount the longest legs stabilizers in the part of the horns. Safety pins must lock the stabilizers.

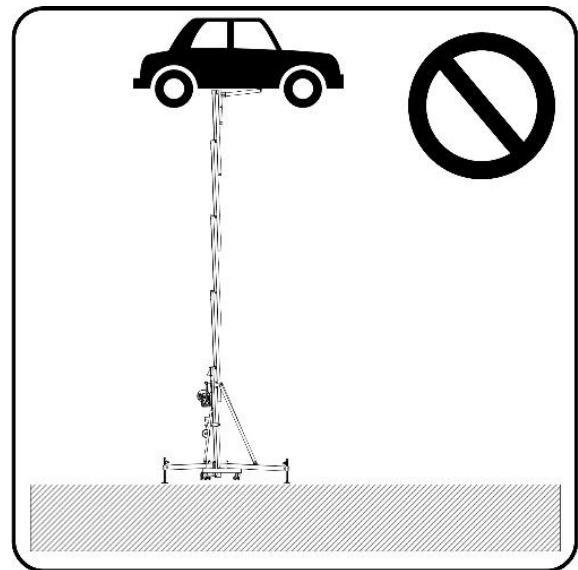


Figure 8

Before placing a load, make sure that the load never exceeds the maximum allowed. Consult the section of load data

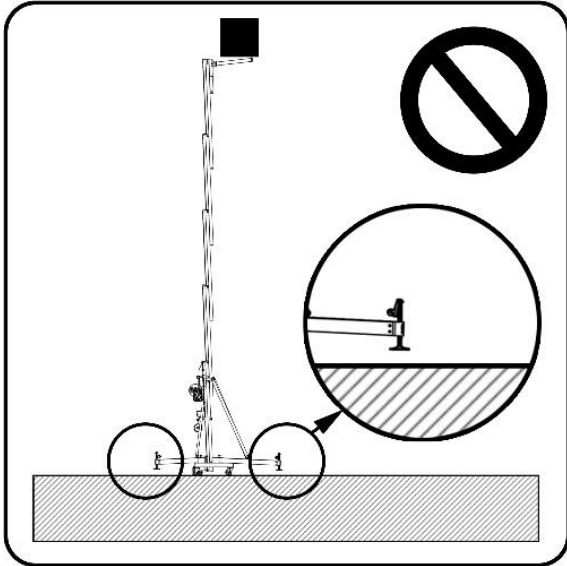


Figure 9

Never move a load without level.

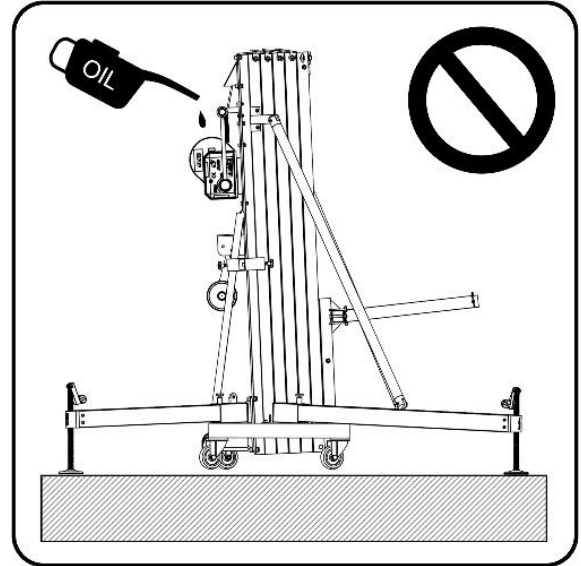


Figure 11

Not grease and lubricate the mechanism of the winch and the pulleys of the masts.



Figure 10

Do not use ladders on the tower or leaning against it.

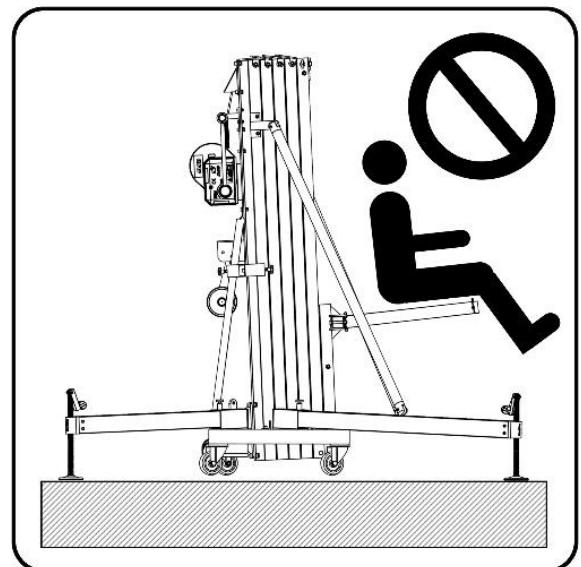


Figure 12

Not allowed to lift people or animals.

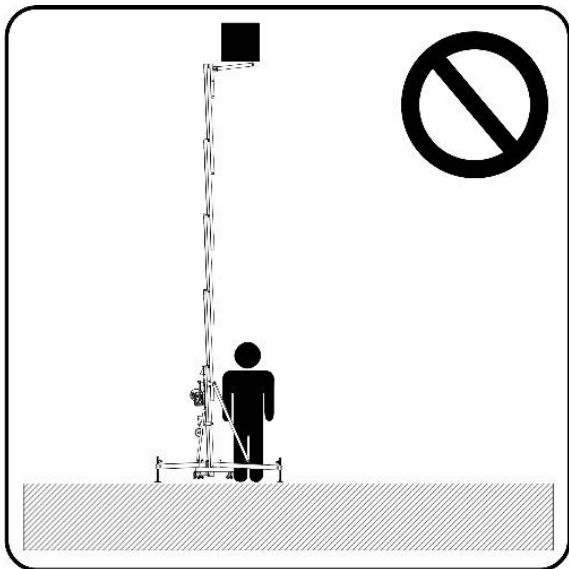


Figure 13

Do not stand under the load. The load must be secured to the tower in order to prevent that the load cannot fall down.



Figure 14

Verify that the tower is beyond the reach of power lines.

The tower is not electrically insulated and can transmit currents of power lines.

On the following table is recommended the average length between the highest part of the structure and the power lines.

Voltage	Min. distance	
	Meters	Feet
0 a 230v	1.5	4.92
230v a 400v	2.8	9.19
400v a 50Kv	3.4	11.15
50Kv a 200Kv	4.9	16.08
200Kv a 350Kv	6.5	21.33
350Kv a 500Kv	8.2	26.90
500Kv a 750Kv	11.3	37.07
750Kv a 1000Kv	14.2	46.59

Figure 15

Not use the tower as welding mass.

If necessary, use the grounding placed on the base.

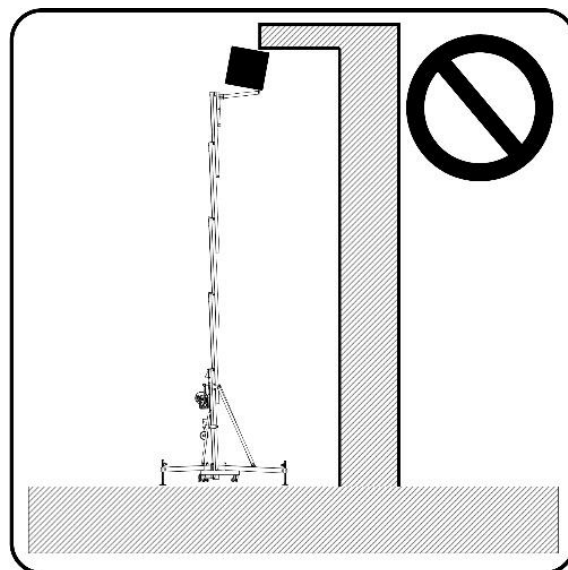


Figure 16

Not lift a load if there is danger of collision. Take at least 1.5 meters on any direction to lift safety the load.

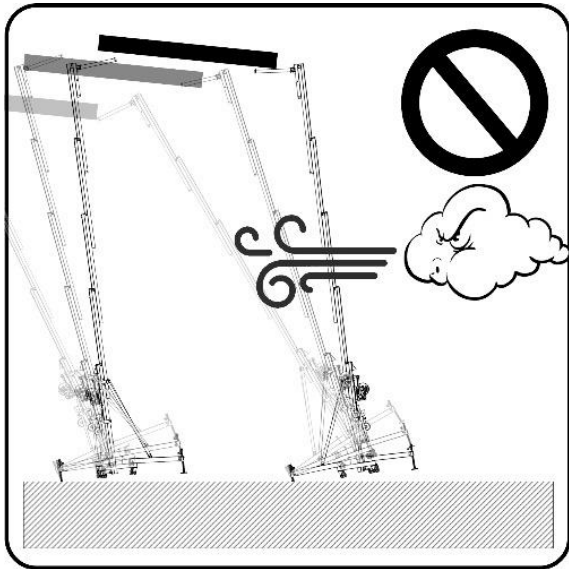


Figure 17

The tower can be used outdoor if the wind speed is low and if it doesn't put the installation in risk. The installation is always under responsibility of the owner.

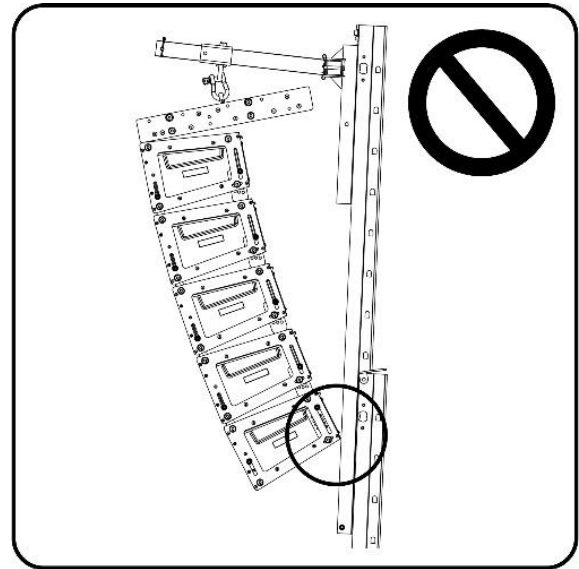


Figure 19

Prevent that the load do not touch the tower

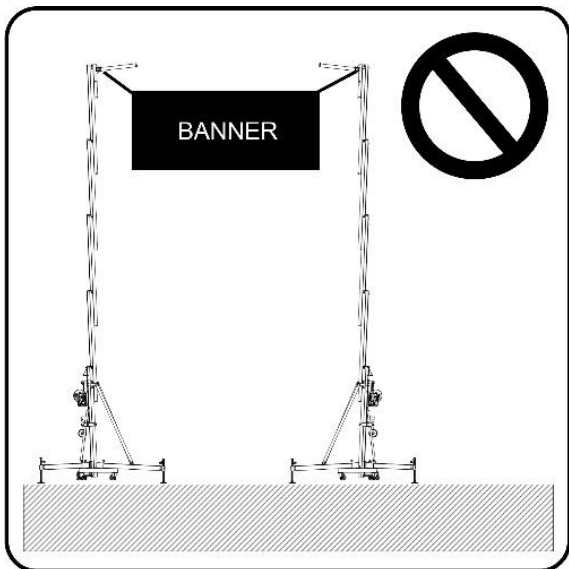


Figure 18

Do not use the tower as a support of banner or another type of decoration with strong wind. That can destabilize the tower and make it fall down.

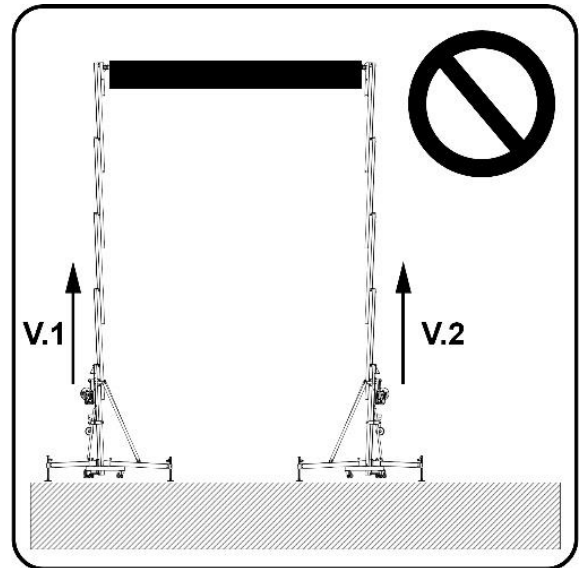


Figure 20

Do not lift structures that require more than one tower at different speeds

$V1 \neq V2$ No lift

$V1 = V2$ Ok

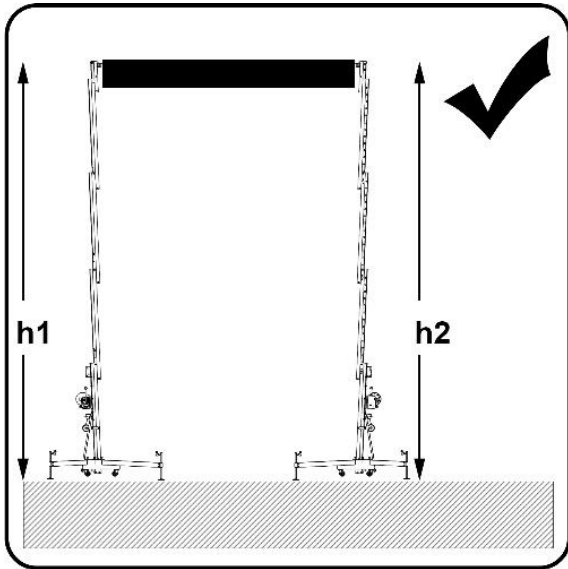


Figure 21

The structure must be levelled correctly. If not, the structure can fall.

Always $h1 = h2$

PARTS IDENTIFICATION

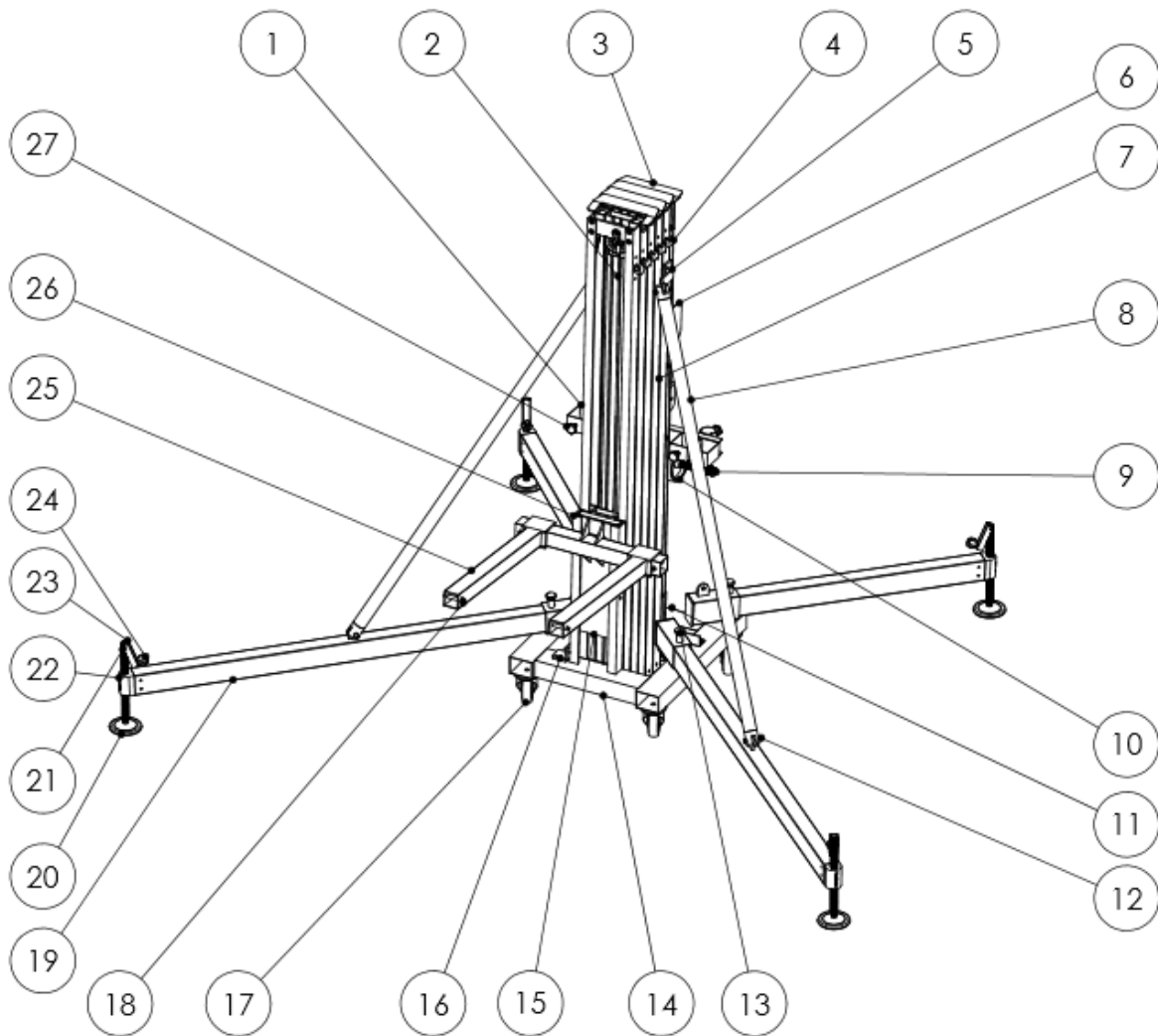


Figure 22.

1	Support leg stabilizers carrier	11	Lower vertical wheel transport	21	Leveler asparagus
2	Steel cable	12	Pin reinforcement strut	22	Leveler support
3	Top boost reinforcement	13	Red knob base security system	23	Stabilizer support handle
4	Red knob mast security system	14	Tower base	24	Leveler knob
5	Strut reinforcement mast support	15	Steel carrier	25	Horns
6	Winch	16	Carrier brake system	26	Aluminum carrier
7	Tower mast	17	Base wheel	27	Leg stabilizer carrier knob
8	Aluminum reinforcement strut	18	Pin horn		
9	Protection sleeve	19	Leg stabilizer		
10	Horizontal transport wheel	20	Stabilizer plate		

HOW TO USE. STEP BY STEP

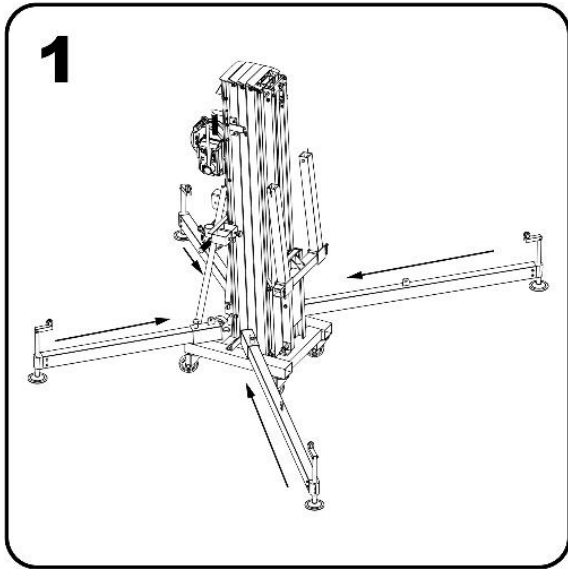


Figure 23

Fix and secure the legs stabilizers to the base.

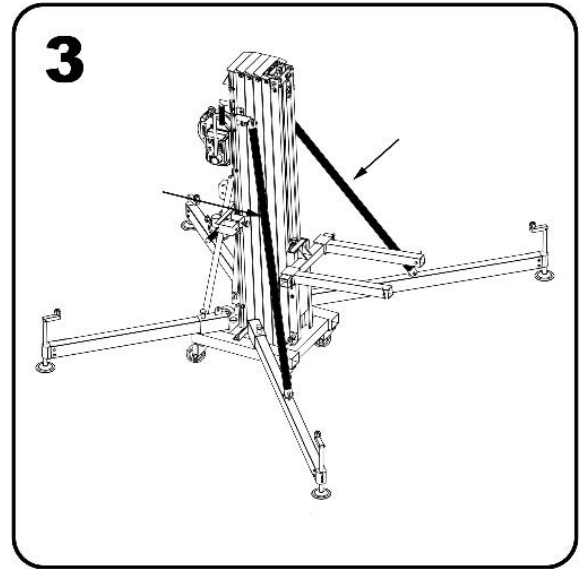


Figure 25

Place the reinforcement bars and fix it with its pins.

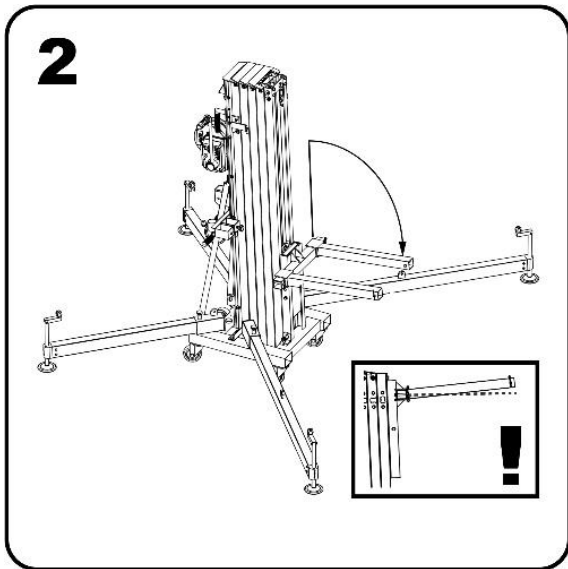


Figure 24

Turn the horns and adjust to the desired width.
Ensure it with the pins.

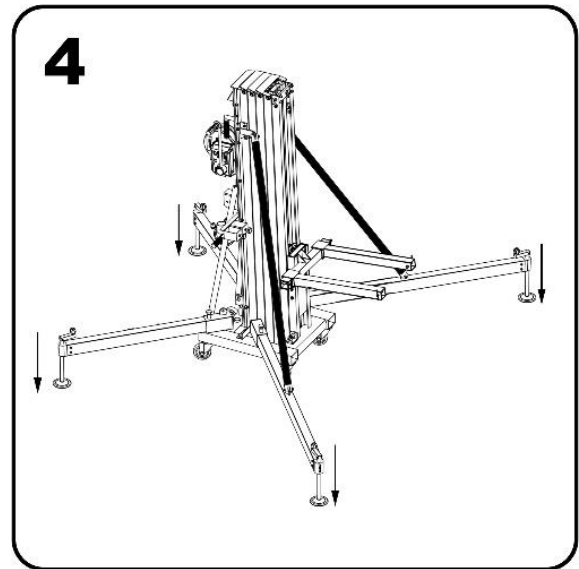


Figure 26

Place the tower in its working position and level until
the bubble level is centered.

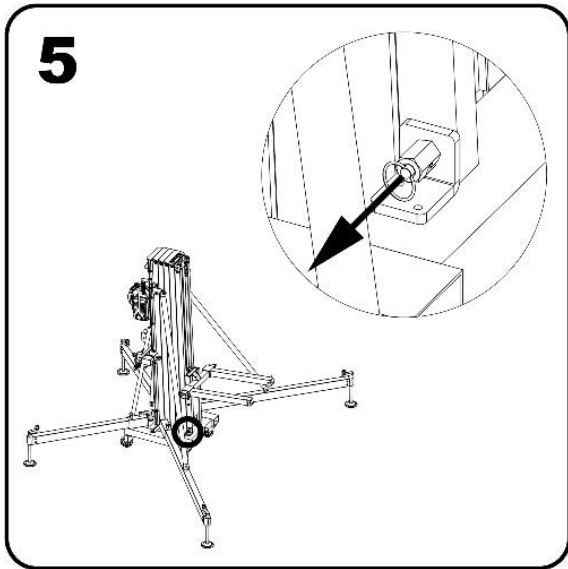


Figure 27

Unlock the security brake of the aluminum carrier.

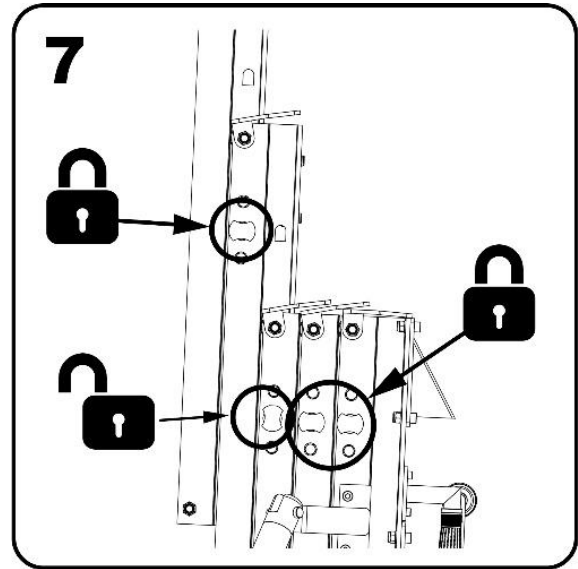


Figure 29

When the section reaches its limit, lock with the security system and unlock the following security system to lift the next mast. Do the same operation until you reach the required height.

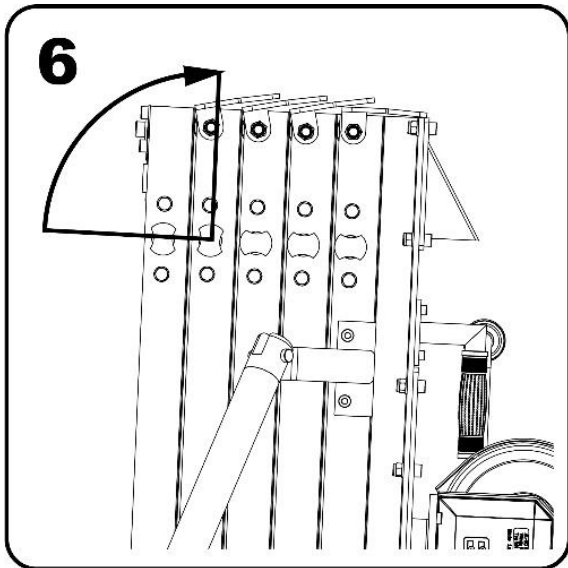


Figure 28

Unblock the security system of the mast.
Operate the winch handle to lift the carrier.

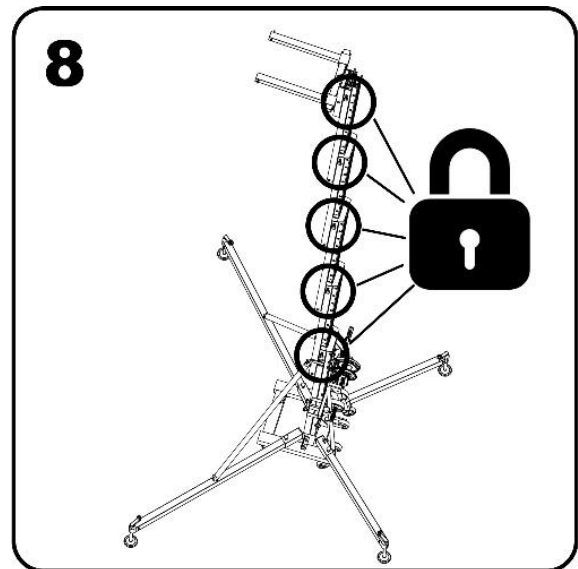


Figure 30

All security systems must be in locked position. Slacken the cable of the winch for the system can stabilize correctly.

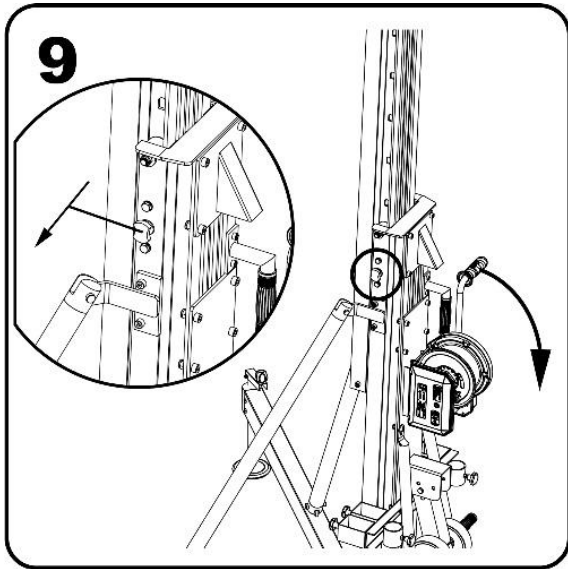


Figure 31

To lower the load. Tighten the cable and unlock the first security system. Turn the winch while maintaining the other hand unlocking security system.

Once the load has lowered and the carrier is down. Block the carrier and follow the steps from 5 to 1

ACCESSORIES

The P.A. towers has the following accessories.

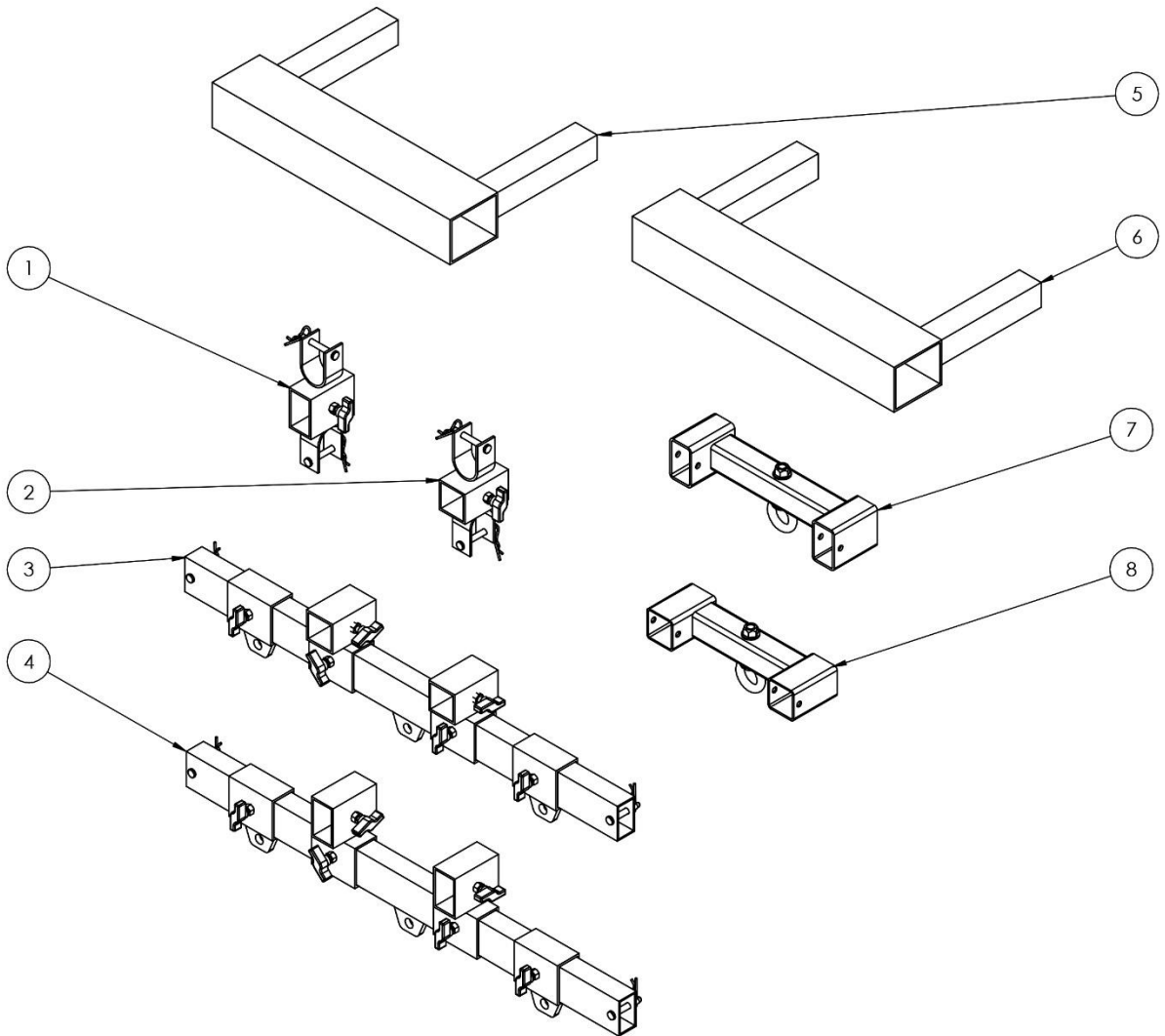


Figure 32

- | | | | | | |
|---|----------|---|----------|---|---------|
| 1 | ATF2DS | 4 | ATF08PAM | 7 | ATF17PA |
| 2 | ATF1DS | 5 | ATFT200 | 8 | ATF08PA |
| 3 | ATF17PAM | 6 | ATFT600 | | |

Accessories are compatible with the following models of towers.

ACCESORIES	T600PA	T108PA	T200PA	T118PA	T117PA
ATF1DS			X	X	X
ATF2DS	X	X			
ATF17PA			X	X	X
ATF08PA	X	X			
ATFT200			X	X	X
ATFT600	X	X			
ATF17PAM			X	X	X
ATF08PAM	X	X			

Figure 33

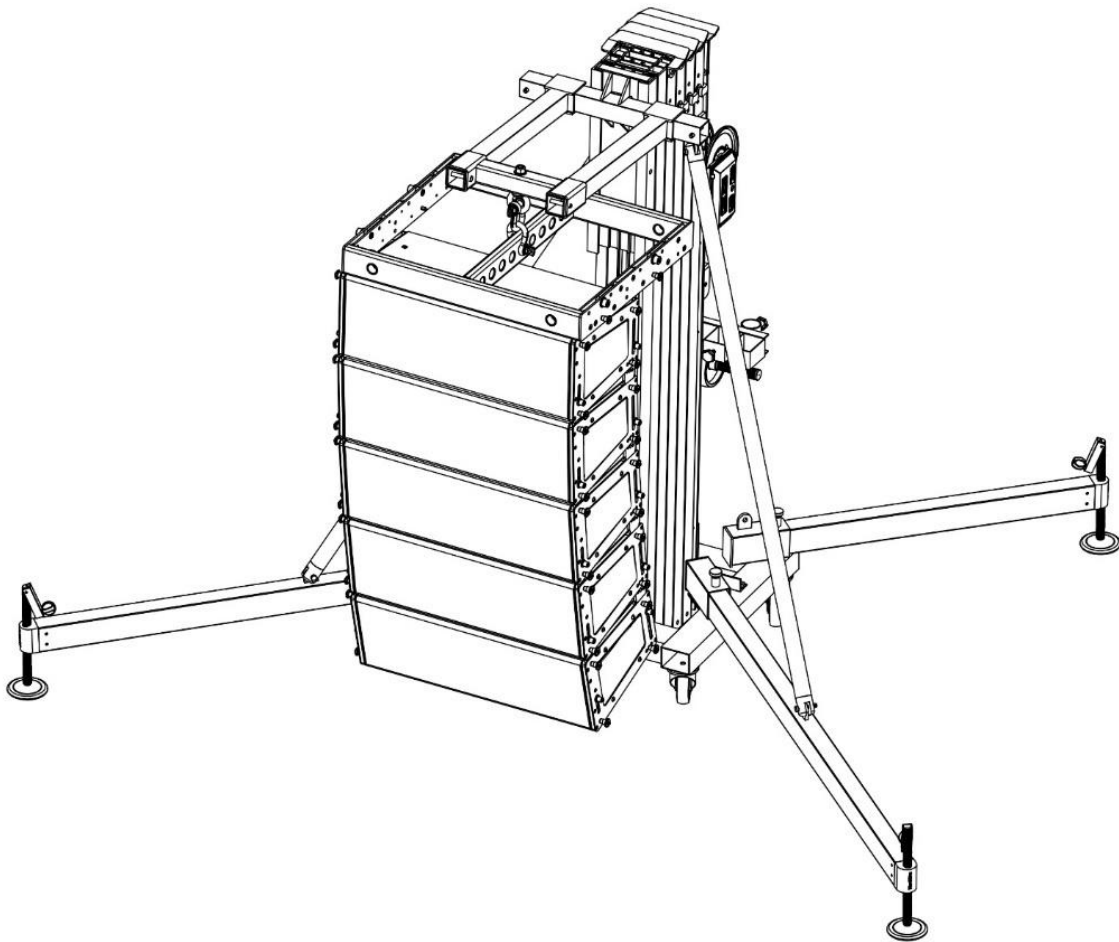


Figure 34

Example of tower FT6033 with accessory ATF17PA.

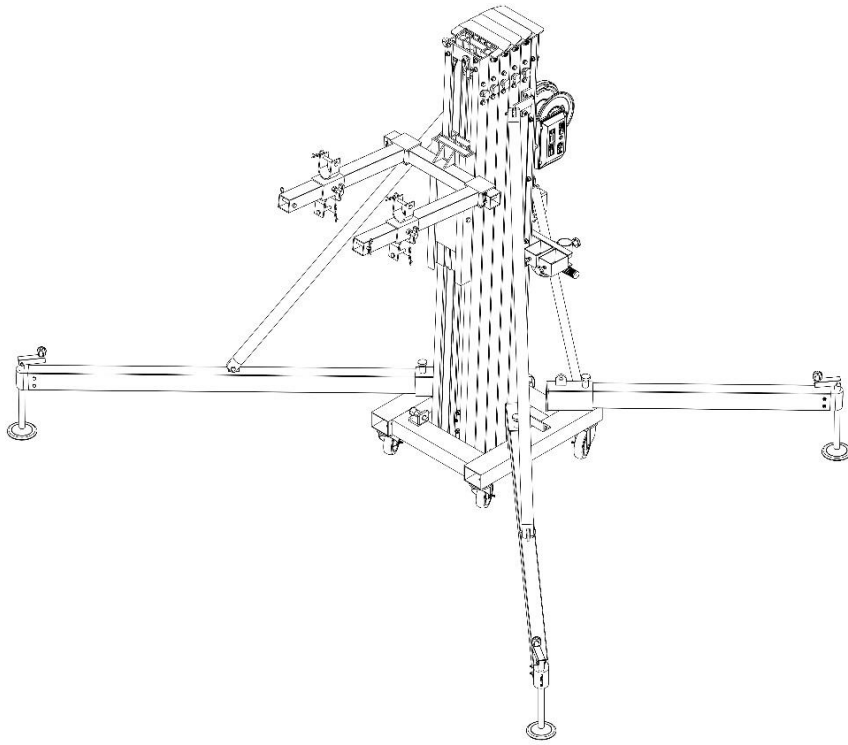


Figure 35

Example of tower FT6033 with accessory ATF1DS.

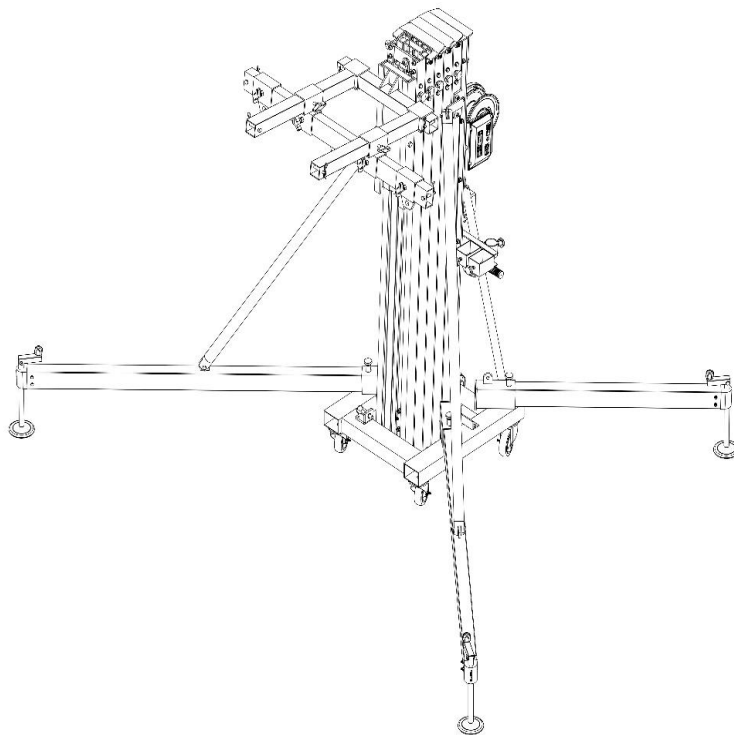


Figure 36

Example of tower FT6033 with accessory ATF17PAM.

STANDARDS TAKEN INTO ACCOUNT

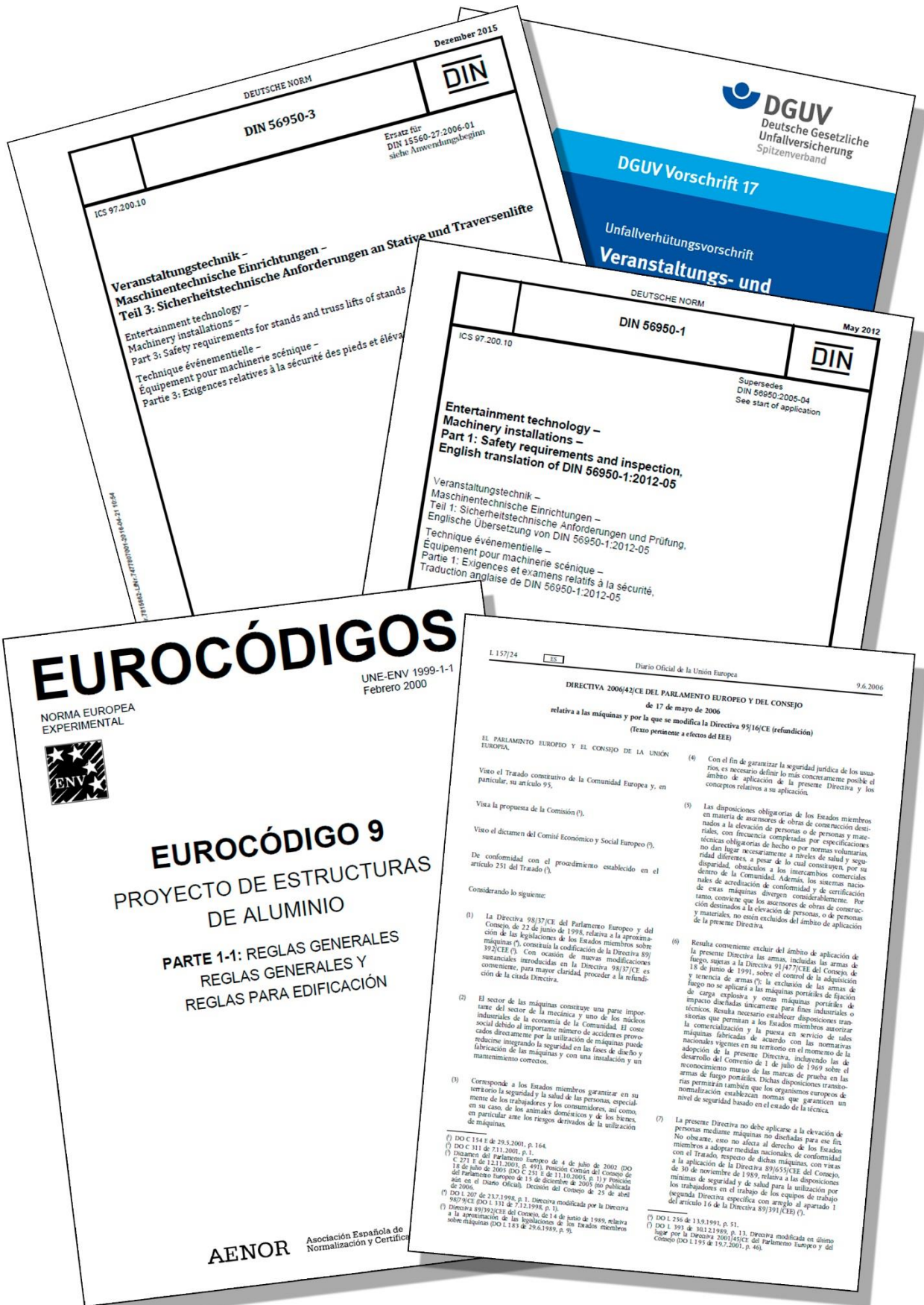


Figure 37

LOAD DATA

Before placing a load, make sure that it can be raised to the maximum height of the tower. Otherwise it could cause an accident or damage the tower.

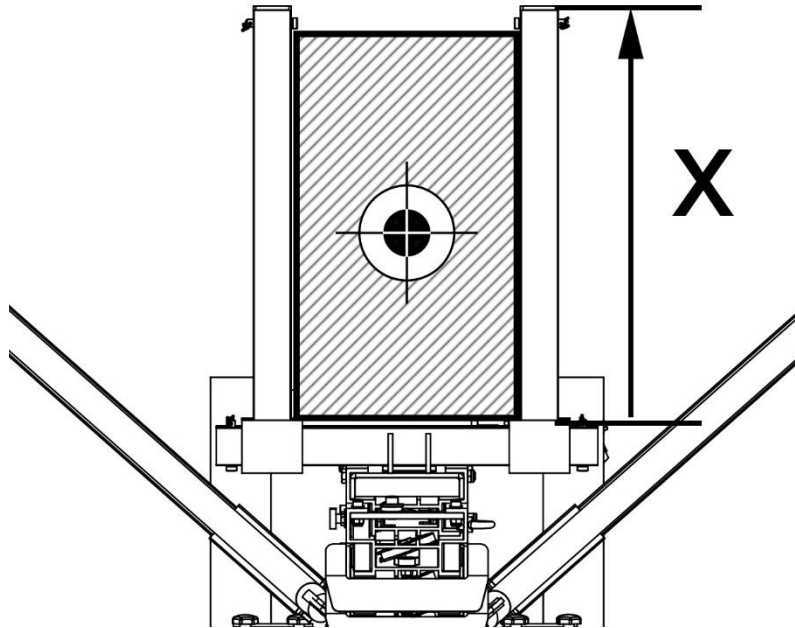


Figure 38

Place and position detail of the load.

Place of the load.

1. Determine the position where the load is to be placed and consult the tower capacity. Never exceed.
2. The "X" distance between the load is taken from the carrier to the end of the horns.
3. When it is possible, place the load as close to the carrier. This prolongs the life of the tower.

TOWER	X in P1 (mm / inch)	X in P2 (mm / inch)	X in P3 (mm / inch)	X in P4 (mm / inch)	X in P5 (mm / inch)
FT6860	85	270	450	635	820
	3.34	10.63	17.72	25	32.33
FT7045 / FT6033	100	260	425	580	
	3.93	10.23	16.73	22.83	
FT6520 / FT5323	95	225	355	485	
	3.74	8.85	13.97	19.1	

Figure 39

Detail of the position of all points of load.

Load table.

P.A. lifting systems are designed so that the maximum load is placed in the central area of the horns allowing a better use of the system. Following can be found the maximum loads to be borne by each tower model for maximum working height.

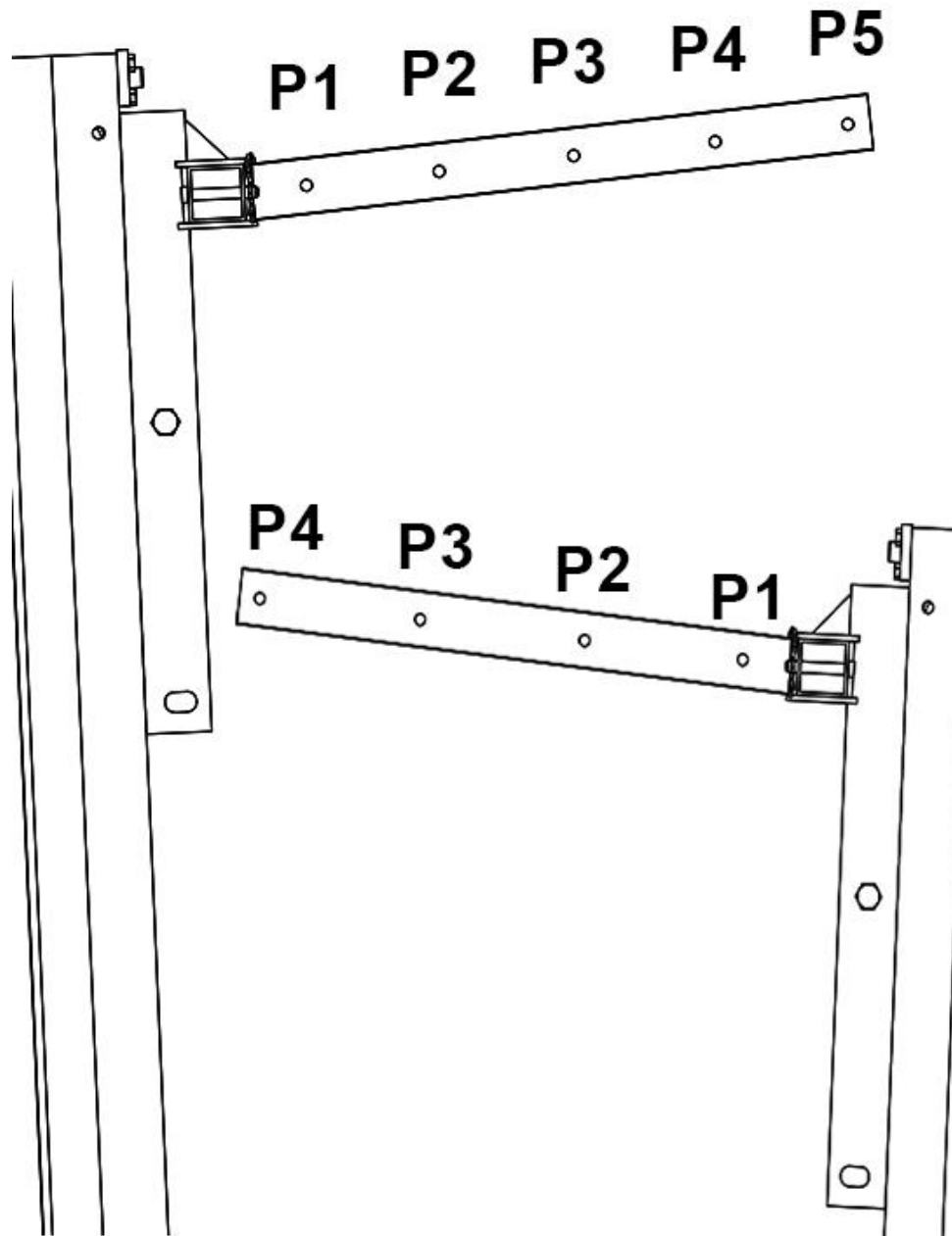


Figure 40

Detail of load positions.

USE AS MECHANISM.

The tower lifter works like a mechanism when the load is lifted using the winch.

USE AS STRUCTURE.

The tower lifter works like a structure when all mast are locked and the Steel wire doesn't have strength.

In that case, all parts of the tower Works like a big column to support load. The load can be lifted using manual or electric hoists.

USE WITHOUT ALUMINIUM REINFORCEMENT STRUT.

This use is restricted for assemblies that has the tower in front themselves joined by a truss structure and fixed. Never use this load table for towers joined by a truss in parallel position.

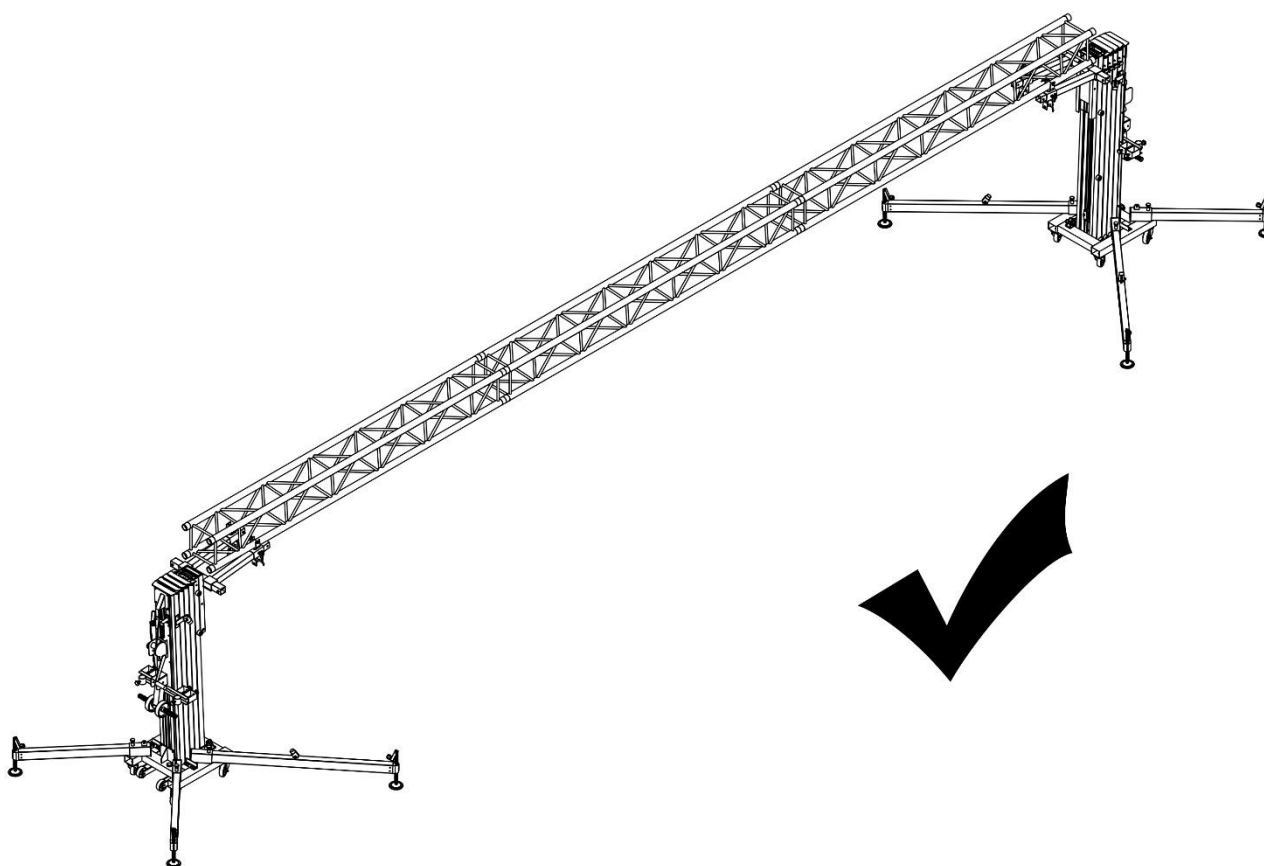


Figure 41

Correct position of towers for use without aluminium reinforcement strut..

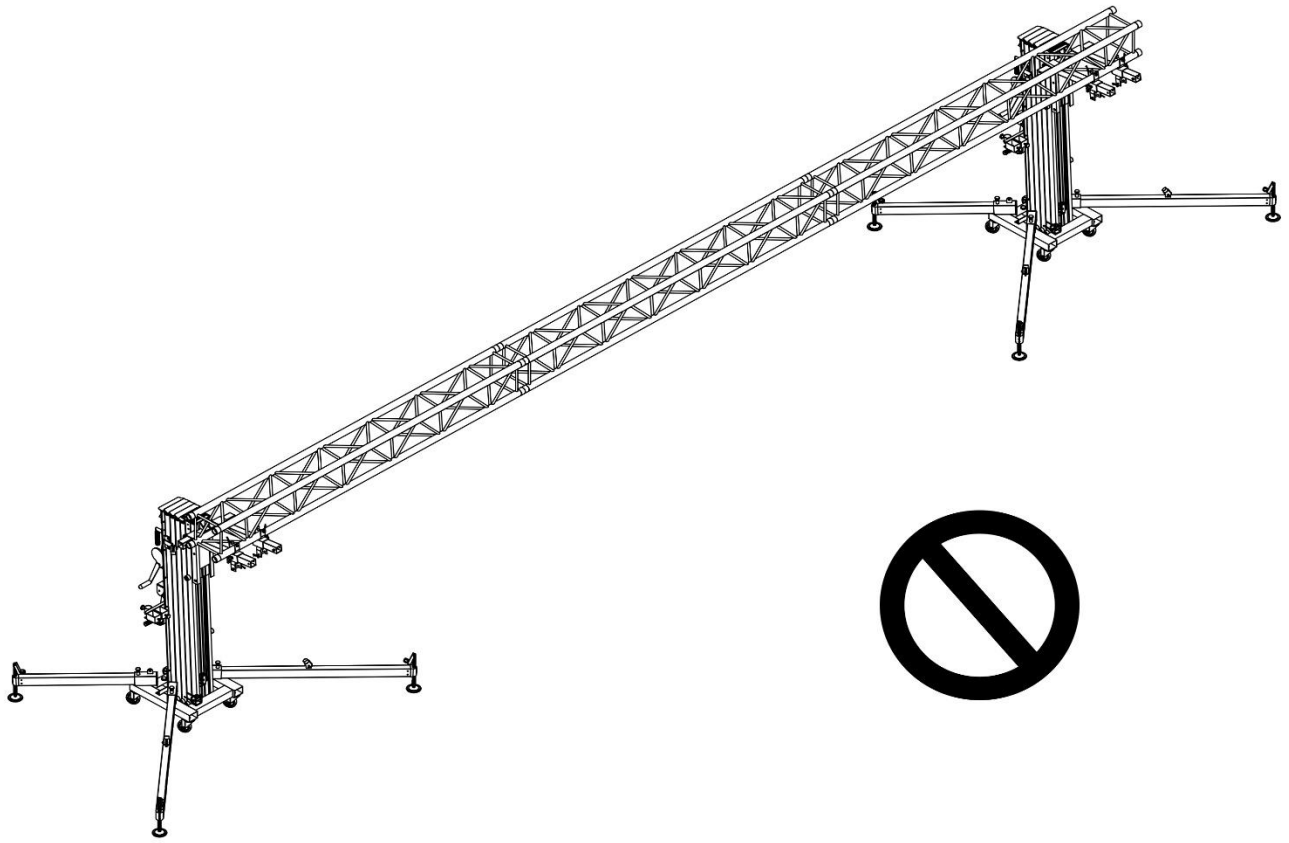


Figure 42

Incorrect position of towers for use without aluminium reinforcement strut.

		AS MECHANISM					AS STRUCTURE					WITHOUT ALUMINUM REINFORCEMENT STRUT				
		P1	P2	P3	P4	P5	P1	P2	P3	P4	P5	P1	P2	P3	P4	P5
FT-6860	lbs	1323	1257	1180	1113	1036	1885	1775	1609	1268	1036	815	738	661	584	507
	kg	600	570	535	505	470	855	805	730	575	470	370	335	300	265	230
FT-7045	lbs	992	849	705	562	X	1135	882	716	562	X	716	595	474	353	X
	kg	450	385	320	255	X	515	400	325	255	X	325	270	215	160	X
FT-6033	lbs	728	661	595	518	X	1003	871	683	529	X	551	485	419	353	X
	kg	330	300	270	235	X	455	395	310	240	X	250	220	190	160	X
FT-6520	lbs	441	436	432	428	X	794	771	617	485	X	264	229	194	158	X
	kg	200	198	196	194	X	360	350	280	220	X	120	104	88	72	X
FT-5323	lbs	518	496	474	452	X	1003	838	772	452	X	330	286	242	198	X
	kg	235	225	215	205	X	455	380	350	305	X	150	130	110	90	X

Figure 43

Detail of load place

Degree of compaction load.

Hard surfaces such as dirt or gravel may vary depending on the resistance relative humidity. This relative humidity varies over the day, so that the resistance of the soil to absorb tower effort loaded, too. Place a tower under these conditions may result in the ground yield below the supports of the tower. Causing a serious accident.

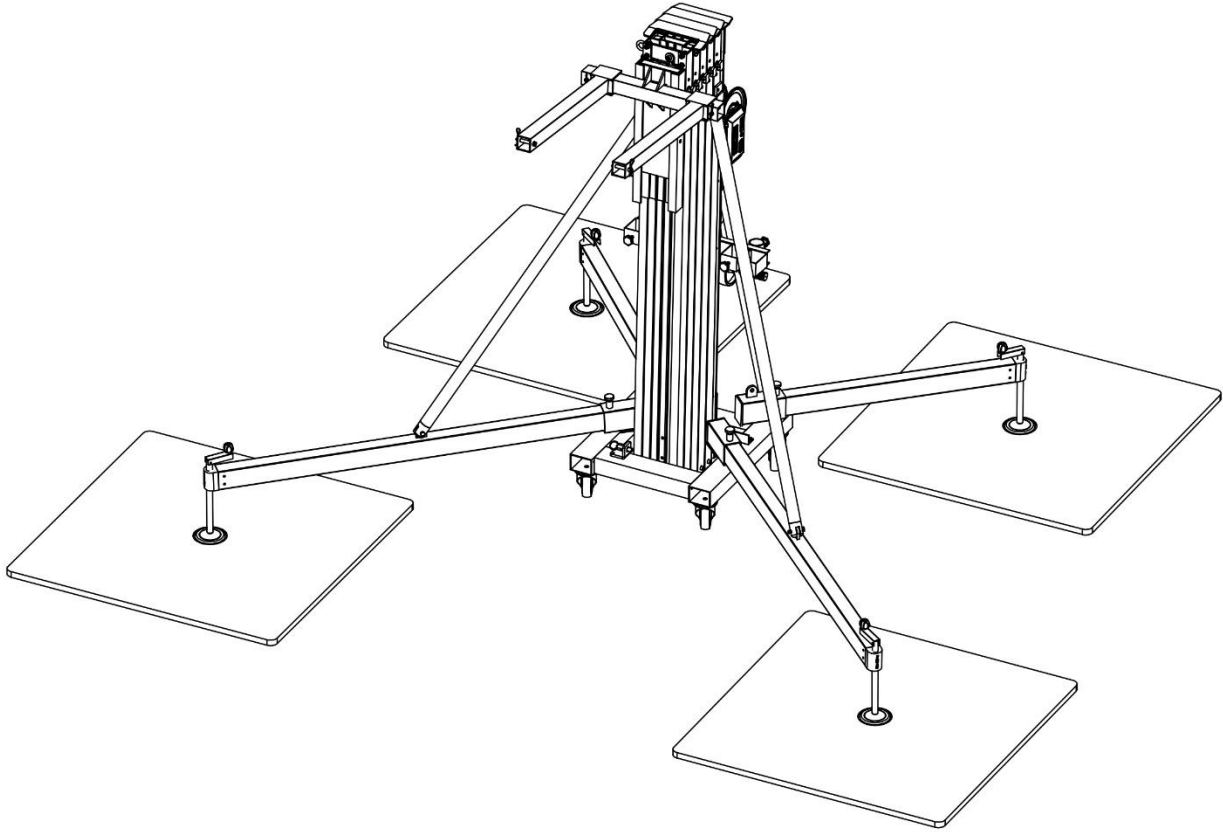


Figure 44

Detail of plates place. Support must be centered with respect to the plate.

To avoid this, it is advisable to put bases in the support, to facilitate uniform distribution on the ground. Expanding the contact surface of each support. The following table lists the minimum area of these surfaces.

TOWER MODEL	Side length of the plate in meters, and kg/m ² that can support the ground.		
	150 Kg/m ²	250 Kg/m ²	350 Kg/m ²
T600PA	1.2	0.9	0.8
T108PA	1	0.8	0.6
T200PA	0.8	0.6	0.5
T117PA	0.8	0.6	0.5
T118PA	0.8	0.6	0.5

Figure 45

DYNSYS SYSTEM

The Dynsys system is an optional solution to control the maximum load in our tower lifters.

The Dynsys limits the maximum load avoiding to lift a load bigger than the maximum load. The limitation is done for use as a machine system. For more information about the maximum load, check the load table.

In case of lift a load bigger than the maximum of the tower, the Dynsys detects the increase of load and stops the elevation. In that case the load only can go down.

In case of limitation, the Dynsys advise with noise.

The Dynsys Works like a preventive maintenance. If the tower works with problems like damaged internals, bad state of steel wire, the dynsys limits the maximum load decreasing it till the tower works fine. If this happens, please contact with technical department or your local distributor.

The system allows to dismantle the lever. You can block the tower removing the lever. This is a form to ensure that nobody alien to the show can move the tower up or down. You only need to remove the Allen screws.

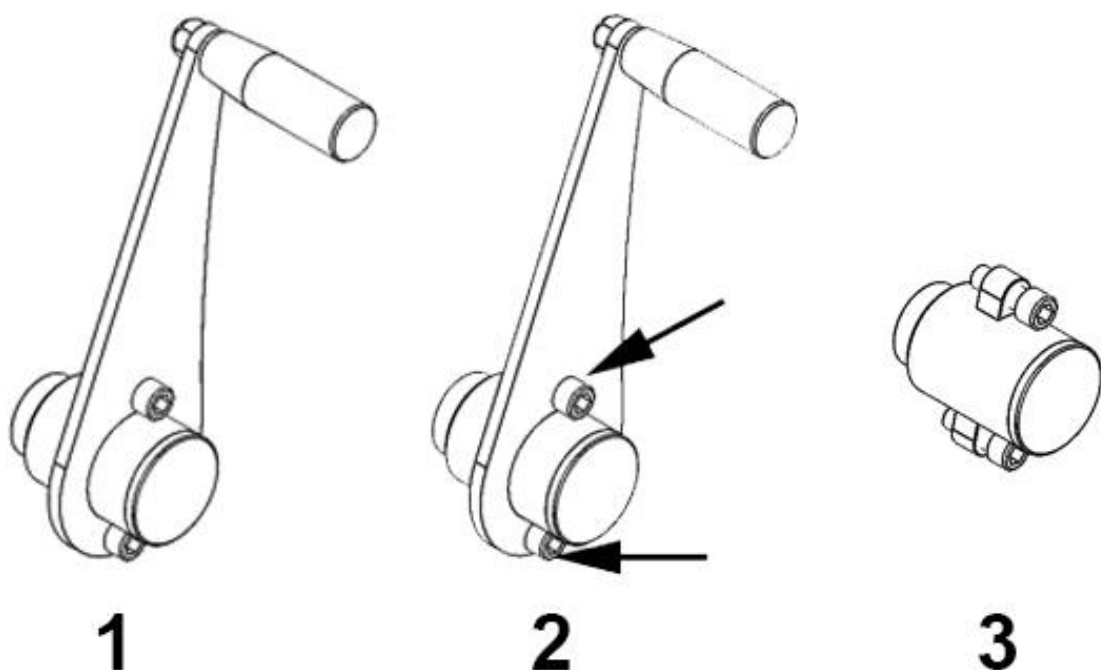


Figure 46

MAINTENANCE

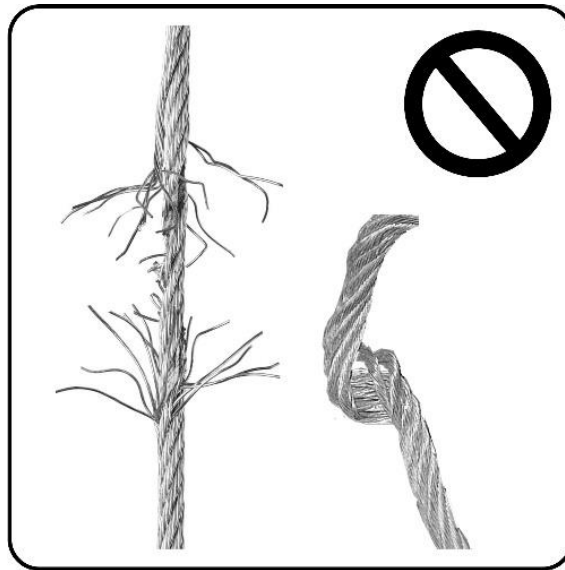


Figure 47

Cable damaged detail.

Check periodically the state of the cable. If the cable is broken must be replaced immediately with a new one. Do not use the tower with a cable shabby. If any doubt, contact with Fantek Industrial S.L.

In case of replacement of pieces. Replace only original parts Fantek Industrial S.L. Otherwise, the warranty is voided.

Is recommended a review of the tower by specialized staff of Fantek Industrial S.L. once a year.

To request any spare must attach the reference of the piece included in the spare manual that can be obtained in tecnico@fanteck.net

TRANSPORT

To the transport of the towers:

- Verify that the legs stabilizers are securely fixed to the tower in the transport and they cannot be released.
- Check that the horns are well fixed with pins and cannot get out.
- Check that the carrier is properly secured to the carrier brake system.
- Check that all sections are locked.

With forklift

To transport the towers with a machine type forklift the ATCTTPA accessory is necessary. Follow the instructions of the machine operator transport manual. Take into account the height of what is transported. Avoid sudden turns and braking.

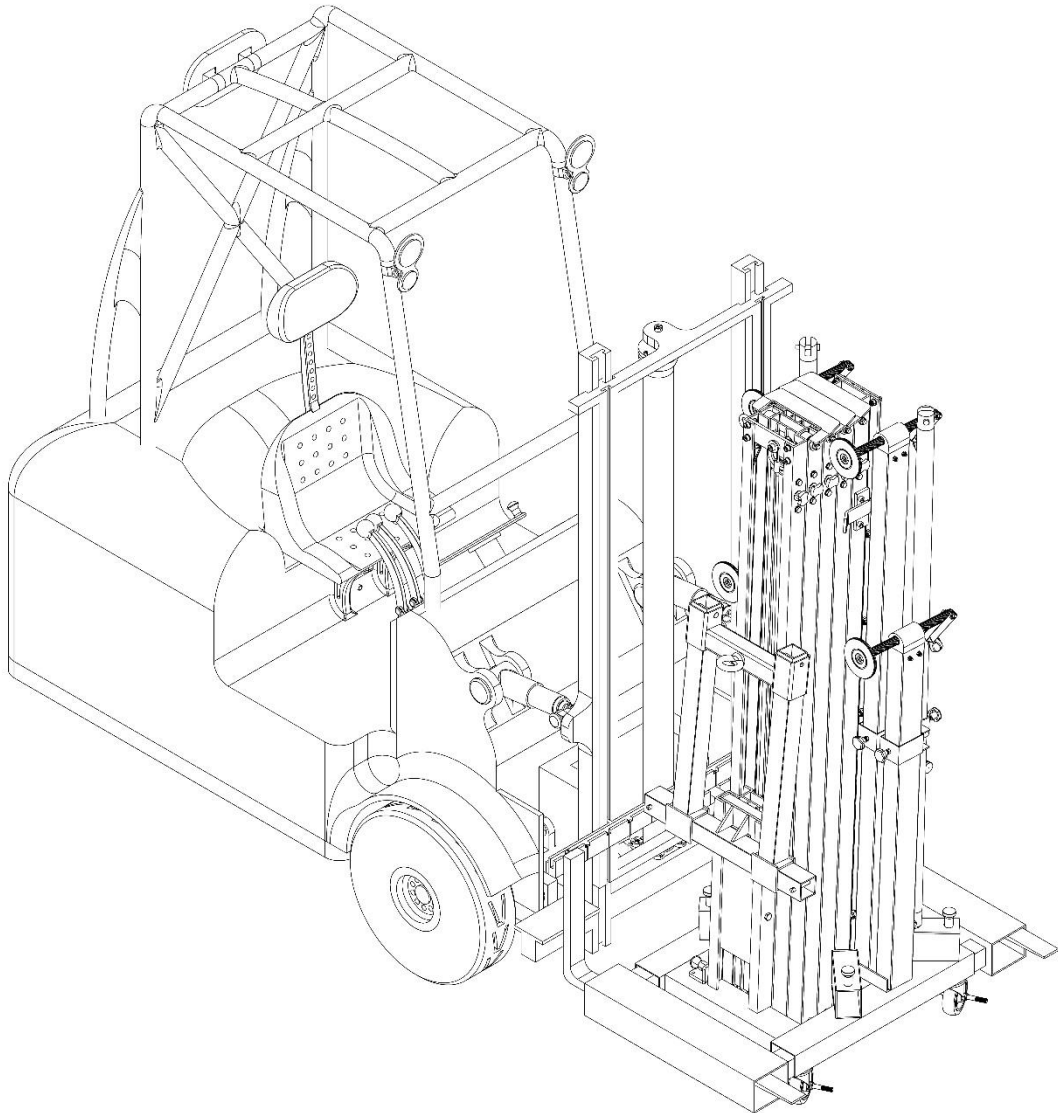


Figure 48

Detail of transport with forklift.

With truck or container.

For the transport by truck or container, always tie the tower by two points. Use ratchets not less than 1000 kg of force for the T-117PA, T-118PA and T-200PA models. Use ratchets no less than 2000 kg of force for the T-600Pa and T-108PA models.

Place ratchets so that the tower cannot move by inertia in curves or sudden braking.

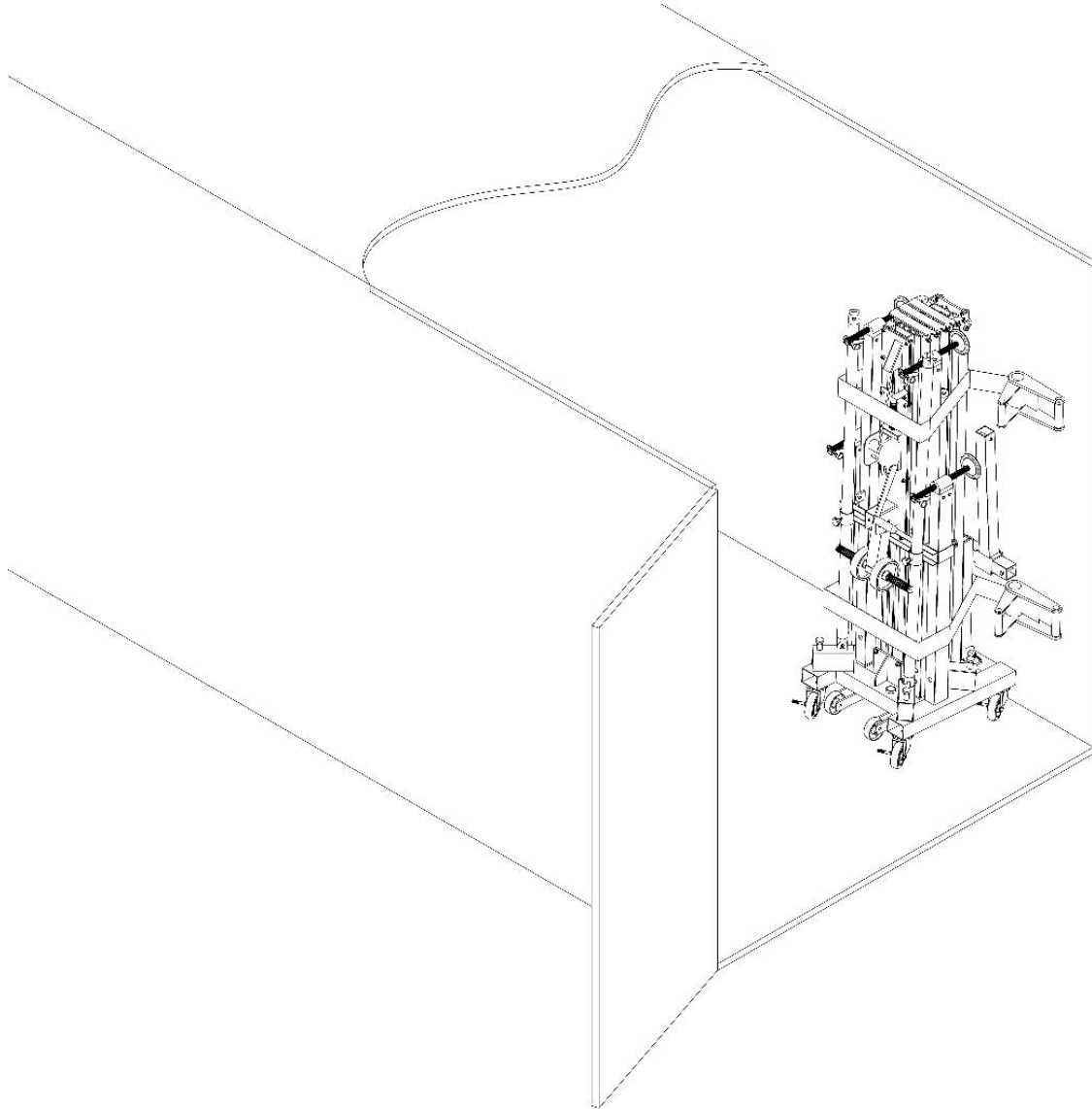


Figure 49

Detail tower place and shape holding.

In horizontal

For horizontal transport must actuate the horizontal wheel so that it protrudes from the tower. Once prepared and with the certainty that all moving parts are subject (legs stabilizers, carrier, etc ...), dump the tower between the people needed until the horizontal wheel contact with the ground.

Remember that these wheels are solid soul. So, the ground should preferably be solid enough so that the wheels can rotate with complete freedom.

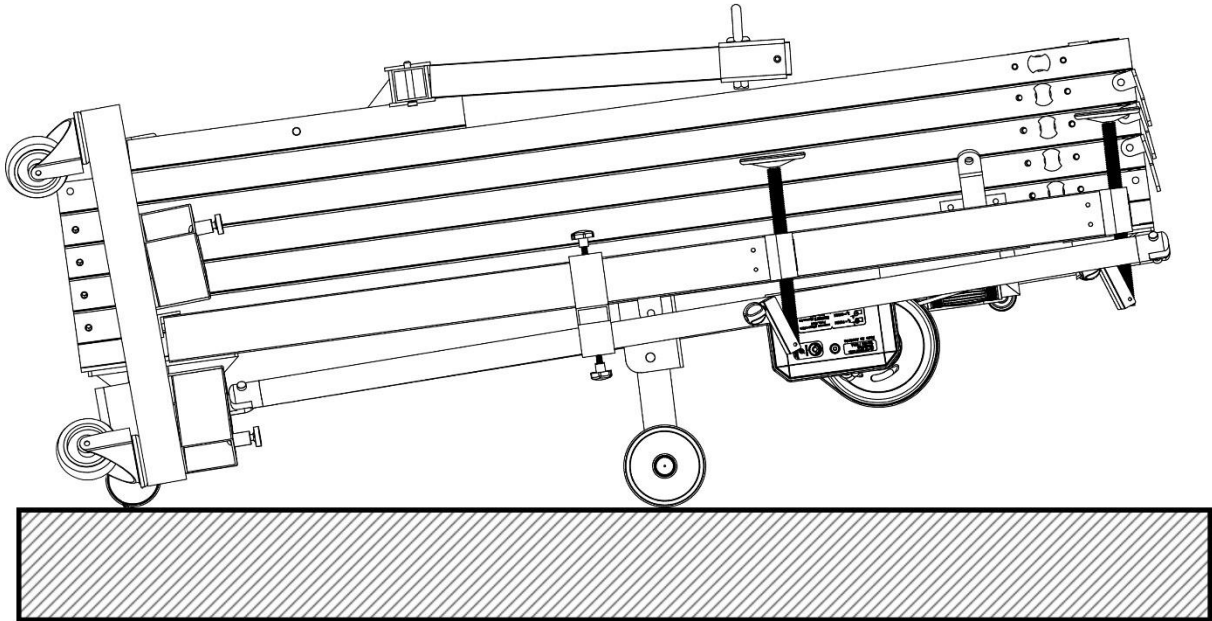


Figure 50

Detail of the tower position for transport in vertical format.

DGUV V17/18 NORM REGULATION. Explanation

DGUV V17/18 is a norm that regulates the stage and production elements in the entertainment industry. Lifting equipment and rigging are part of this norm and cover structures and other technical elements.

Adopt **DGUV V17/18** is totally voluntary (except in Germany) but its adoption is required by insurance companies and indeed is becoming a norm in the industry

The application of this norm on lifter towers is vital because, in theaters, stages, etc., are used to move loads above artists, technical staff, etc... and in some cases, above viewers, representing a potential risk of fall.

NORM DGUV V17/18. Fields of application

This standard is oriented in two ways:

On the one hand, lifting towers adopt designs and materials in order to achieve a high degree of safety in quantities such as supported load, equilibrium, resistance to friction, etc.

Thus lifter towers **FANTEK DGUV V17/18** certified, they assure the user that have passed strict controls during design, choice of materials or load checks and effort.

On the other hand, in order to achieve optimal performance with these units, it is recommended, and a responsible use of the unit, (meeting basic norms such as obey the maximum load or balance), periodic maintenance which It must be carried out by expert technicians, checking the condition of the steel cable and winch, the functioning of the security pins and the folding/unfolding of all sections.

All the above tests are only mandatory in those countries with specific regulations on the matter, applied through regulations or laws. As manufacturers, we recommend passing all tests in order to prevent damage and ensure proper operation of P.A. lift systems.

IMPORTANTE

Leer y comprender de forma precisa todos los puntos y aspectos de este manual. Elevar cargas de forma irresponsable puede ocasionar accidentes letales. La instalación de los sistemas y su correcto uso son sólo responsabilidad del usuario.

Se recomienda adjuntar este manual junto con el sistema que se utilice.

En caso de dudas, consultar con el departamento técnico de Fantek Industrial S.L.

CONTENIDO

IDENTIFICACION DE PARTES	33
MODO DE USO. PASO A PASO	34
ACCESORIOS.....	37
NORMATIVA TENIDA EN CUENTA.....	40
DATOS DE CARGA.....	41
UBICACIÓN DE CARGA.	41
TABLA DE CARGA.	42
Grado de compactación del suelo.	45
SISTEMA DYNYSYS.....	46
MANTENIMIENTO	47
TRANSPORTE.....	48
Con carretilla elevadora.....	48
Con camión o contenedor.....	49
En horizontal.....	50
NORMA DGUV V17/18 REGULATION.....	51
ESPECIFICACIONES / ESPECIFICATIONS.....	52
DECLARACION DE CONFORMIDAD /	
DECLARATION OF CONFORMITY.....	53
MARCADO DGUV / DGUV MARK	54

CONTACTO

Internet: www.fantek.es

e-mail: tecnico@fantek.net

INDICE DE ILUSTRACIONES

Figure 51	27
Figure 52	27
Figure 53	27
Figure 54	27
Figure 55	28
Figure 56	28
Figure 57	28
Figure 58	28
Figure 59	29
Figure 60	29
Figure 61	29
Figure 62	29
Figure 63	30
Figure 64	30
Figure 65	30
Figure 66	30
Figure 67	31
Figure 68	31
Figure 69	31
Figure 70	31
Figure 71	32
Figure 72	33
Figure 73	34
Figure 74	34
Figure 75	34
Figure 76	34
Figure 77	35
Figure 78	35
Figure 79	35
Figure 80	35
Figure 81	36
Figure 82	37
Figure 83	38
Figure 84	38
Figure 85	39
Figure 86	39
Figure 87	40
Figure 88	41
Figure 89	41
Figure 90	42
Figure 91	43
Figure 92	44
Figure 93	44
Figure 94	45
Figure 95	45
Figure 96	46
Figure 97	47
Figure 98	48
Figure 99	49
Figure 100	50
Figure 101	52

NORMAS Y SEGURIDAD DE USO

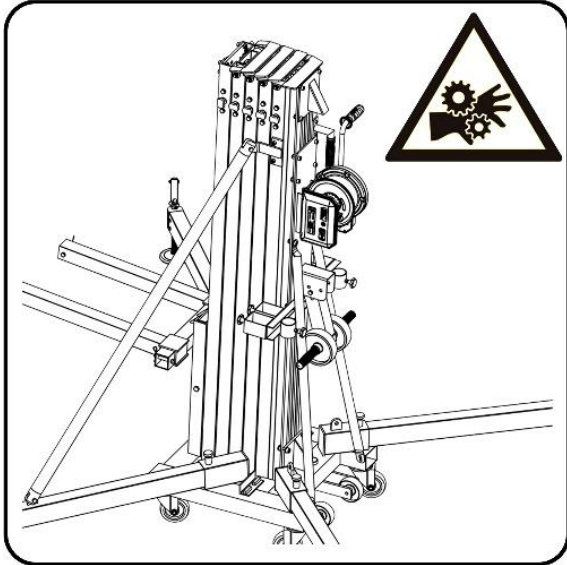


Figure 51

Mantener las manos y dedos fuera del alcance de elementos móviles de la torre.

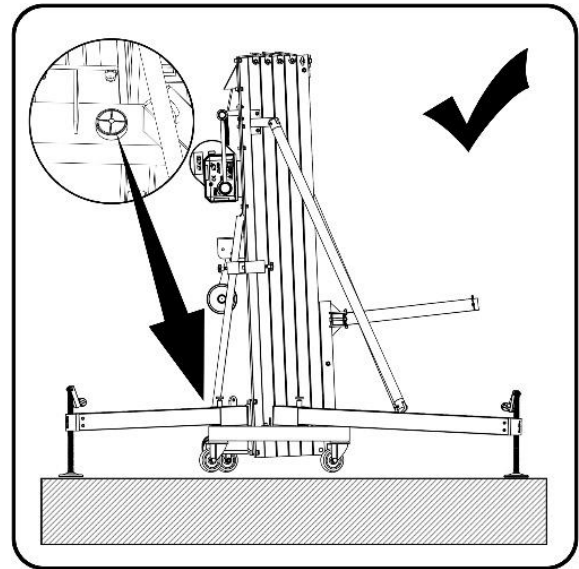


Figure 53

No elevar la torre sin una correcta nivelación. Para poder elevar una carga, la torre siempre deberá estar estabilizada. Las ruedas no deben tocar el suelo.

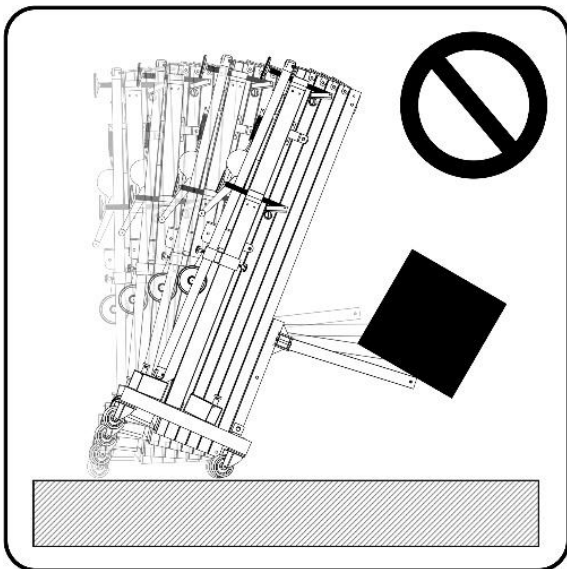


Figure 52

No cargar la torre sin colocar las patas estabilizadoras.

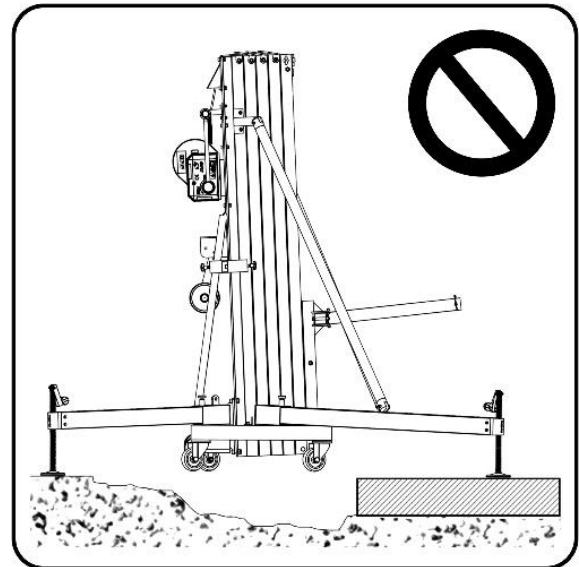


Figure 54

Colocar la torre en una superficie estable.

Si el suelo es de bajo grado de compactación (tierra, gravilla, etc..) consultar en el apartado de datos de carga.

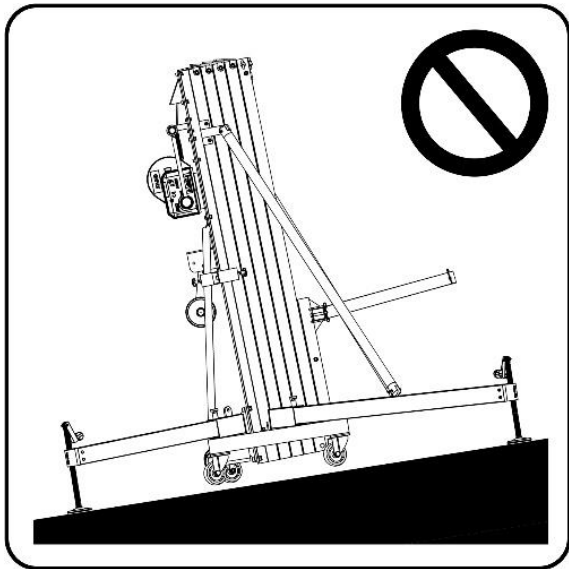


Figure 55

No utilizar la torre en superficies con inclinación que precisen de tacos o piezas para conseguir nivelar la torre.

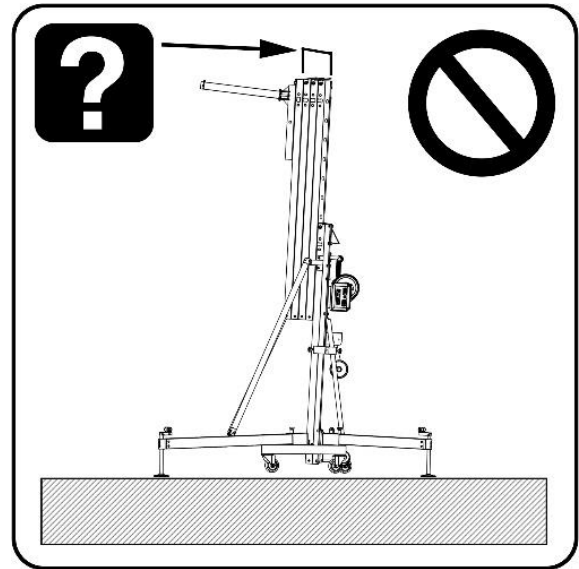


Figure 57

Elevar los mástiles en el orden correcto.

Elevar los mástiles de la torre empezando siempre por el carro. El último mástil en elevarse siempre debe ser el contiguo al tramo donde se aloja el cabrestante.

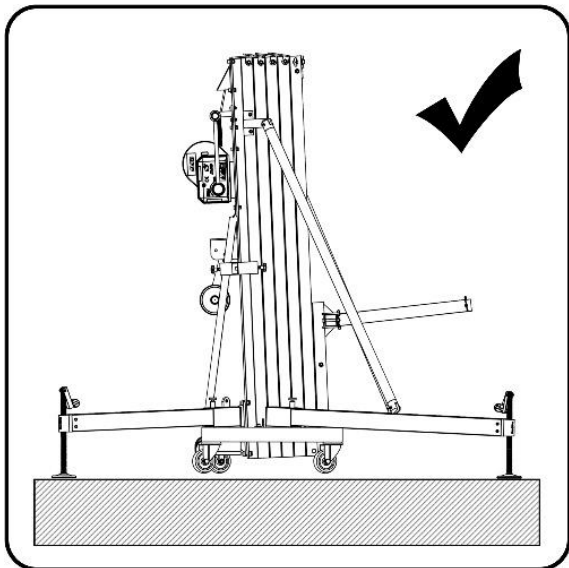


Figure 56

Montar las patas más largas en la parte de los cuernos. Los gatillos de seguridad deben bloquear las patas.

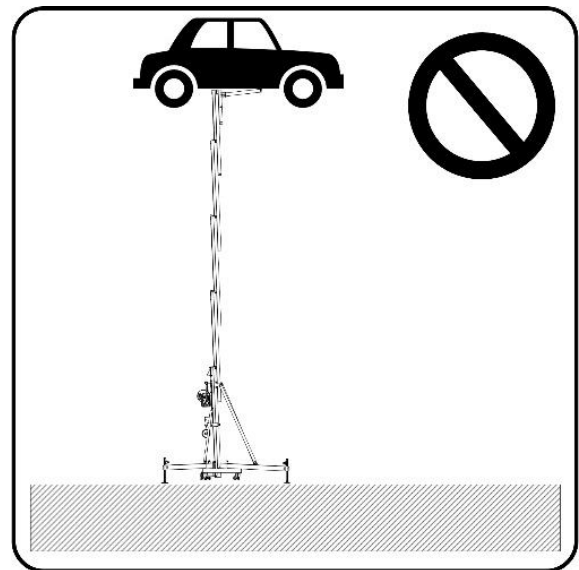


Figure 58

Antes de colocar una carga, asegurarse de que la carga no excede nunca del máximo permitido. Consultar el apartado de datos de cargas.

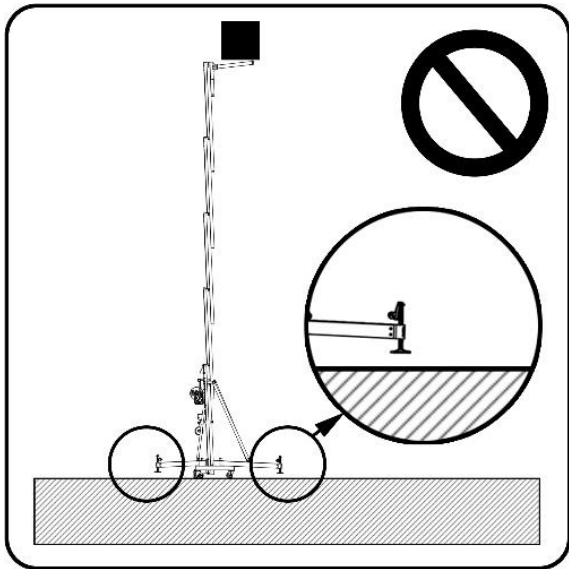


Figure 59

No mover nunca una carga con la torre sin nivelar.

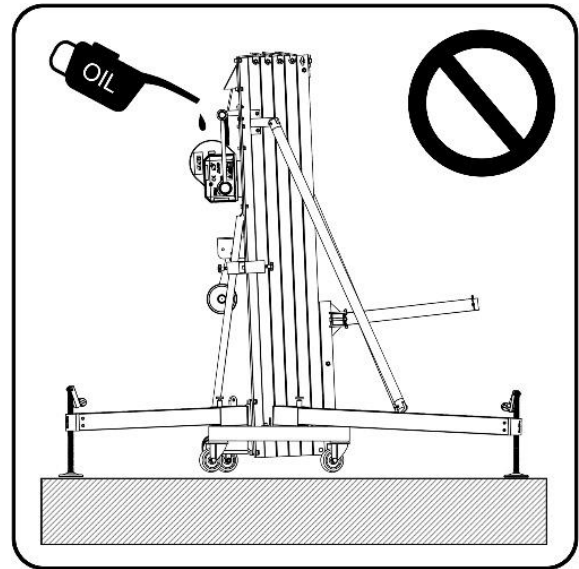


Figure 61

No engrasar, ni lubricar el mecanismo del cabrestante. Ni las poleas internas de los mástiles.



Figure 60

No usar escaleras encima de la torre, ni apoyada en ella.

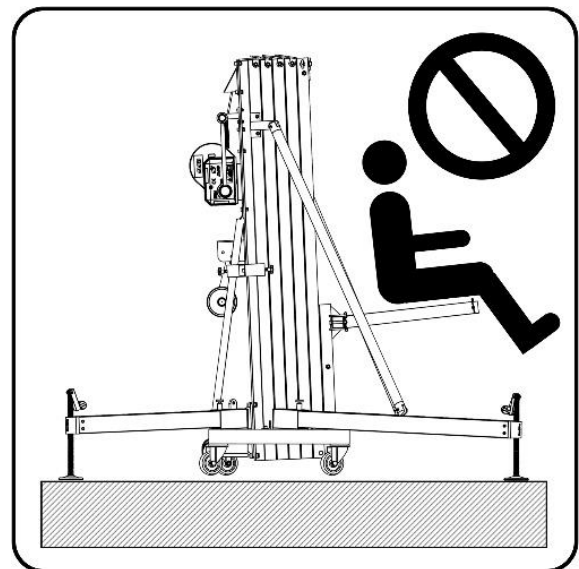


Figure 62

No autorizada para elevar personas, ni animales.

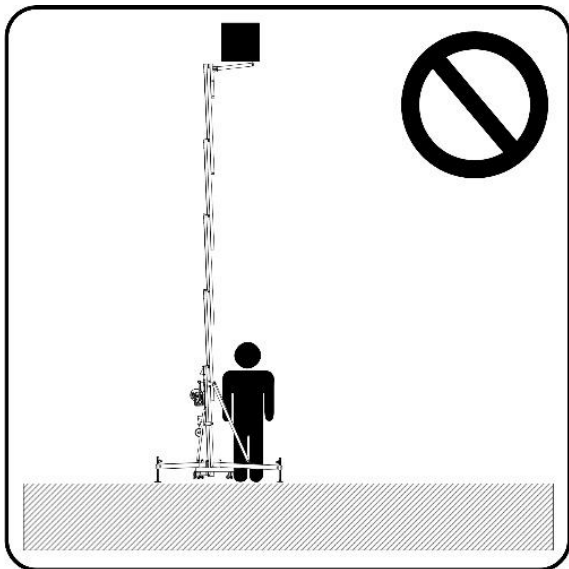


Figure 63

No ponerse debajo de la carga. La carga debe estar fijada a la torre de manera que no pueda soltarse.



Figure 64

Comprobar que la torre queda fuera del alcance de tendidos eléctricos.

La torre no está aislada eléctricamente y puede transmitir las corrientes del tendido eléctrico.

En la siguiente tabla se aconseja la medida mínima entre la parte más alta de la estructura y el tendido eléctrico.

Voltaje	Distancia mínima aproximada	
	Metros	Pies
0 a 230v	1.5	4.92
230v a 400v	2.8	9.19
400v a 50Kv	3.4	11.15
50Kv a 200Kv	4.9	16.08
200Kv a 350Kv	6.5	21.33
350Kv a 500Kv	8.2	26.90
500Kv a 750Kv	11.3	37.07
750Kv a 1000Kv	14.2	46.59

Figure 65

No utilizar la torre como masa para soldar.

En caso de necesidad, utilizar la toma de tierra alojada en la base.

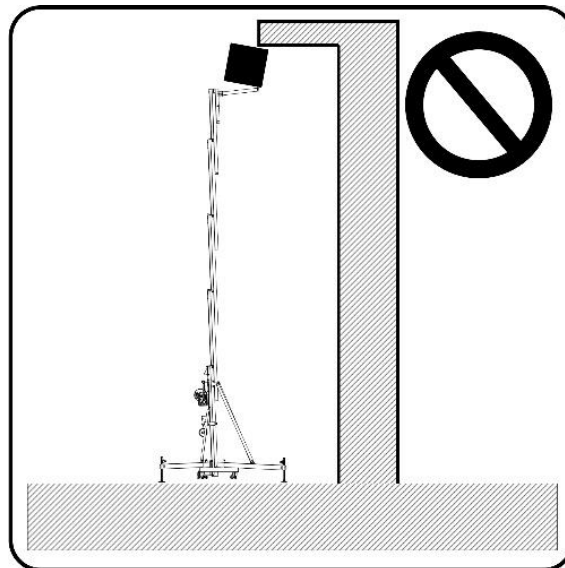


Figure 66

No elevar una carga si hay peligro de colisión. Tener un margen mínimo de 1,5 metros en cualquier dirección para poder elevar con seguridad.

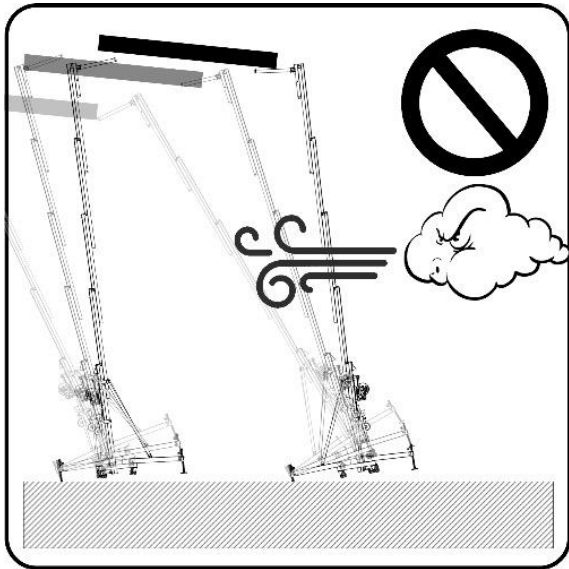


Figure 67

La torre se podrá utilizar al aire libre siempre que el viento no ponga en peligro la estabilidad de la instalación. La instalación es bajo la responsabilidad del propietario.

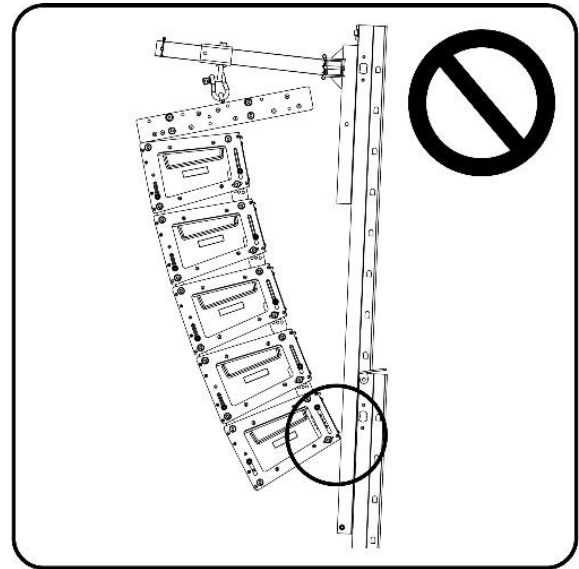


Figure 69

Evitar que la carga apoye en alguno de sus salientes con los tramos de la torre.

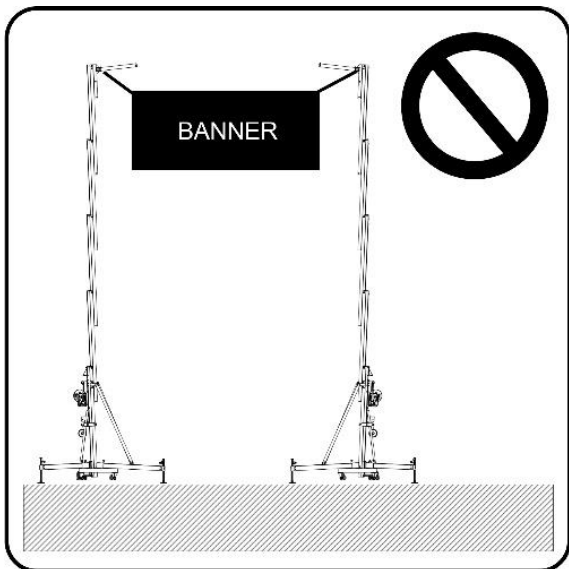


Figure 68

No utilizar la torre como soporte para pancartas u otro tipo de decorados con fuerte viento. Esto puede afectar a la estabilidad de la torre pudiendo llegar a volcar a suelo.

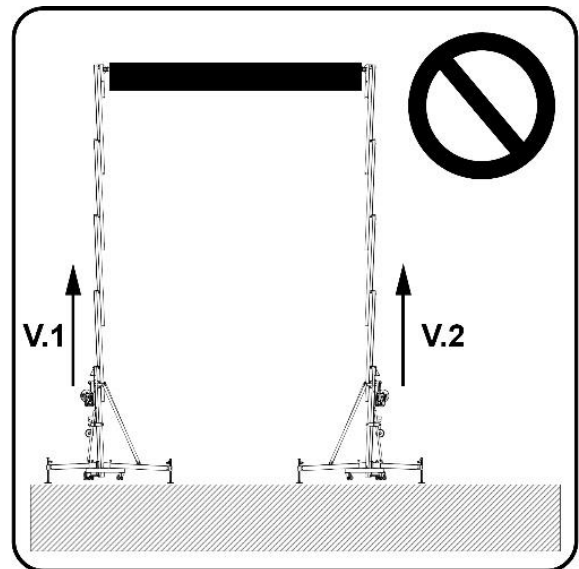


Figure 70

No elevar estructuras que precisen de más de una torre a distintas velocidades.

$V1 \neq V2$ No elevar

$V1 = V2$ Ok

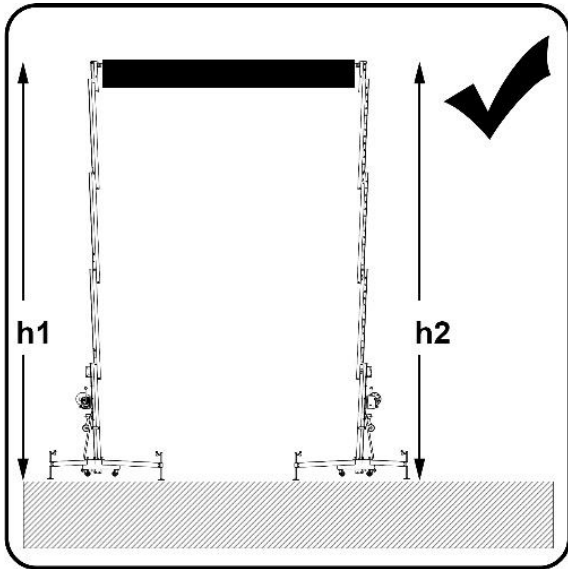


Figure 71

La estructura debe quedar nivelada, de lo contrario, se pueden producir fuerzas que pueden poner en peligro la estabilidad del sistema.

Siempre se debe cumplir que $h1 = h2$

IDENTIFICACION DE PARTES

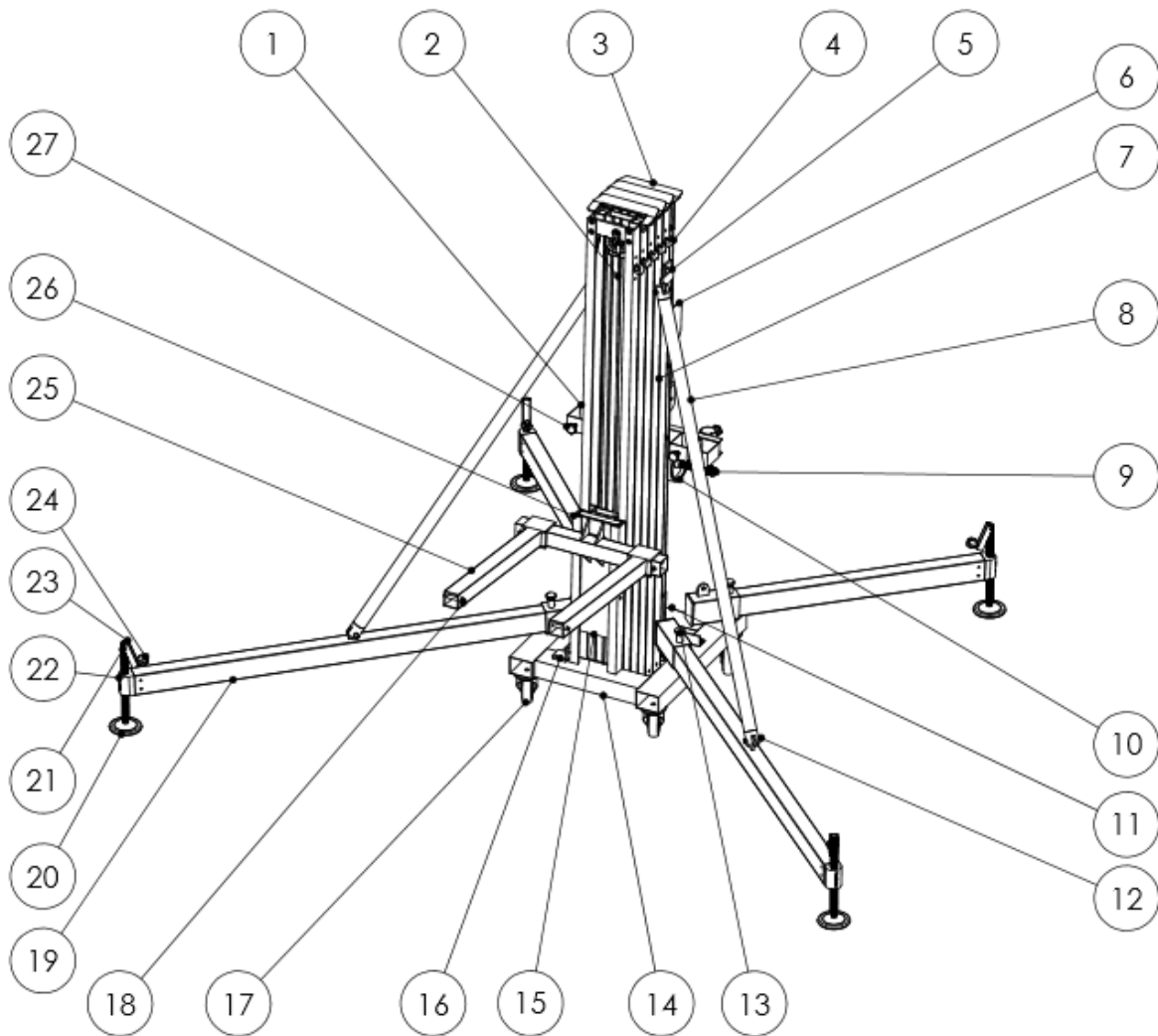


Figure 72.

1 Soporte porta – patas	11 Rueda transporte vertical inferior	21 Esparrago nivelador
2 Cable acero	12 Pasador tirante refuerzo	22 Soporte nivelador
3 Visera refuerzo superior	13 Pomo rojo sistema de seguridad base	23 Maneta soporte estabilizador
4 Pomo rojo sistema de seguridad mastil	14 Base torre	24 Pomo nivelador
5 Soporte mastil tirante refuerzo	15 Carro interior de acero	25 Cuerno
6 Cabrestante	16 Sistema de freno carro	26 Carro aluminio
7 Mastil de torre	17 Rueda base	27 Pomo porta - patas
8 Tirante refuerzo aluminio	18 Pasador cuerno	
9 Manguito protección	19 Rueda pata	
10 Rueda volante superior	20 Plato estabilizador	

MODO DE USO. PASO A PASO

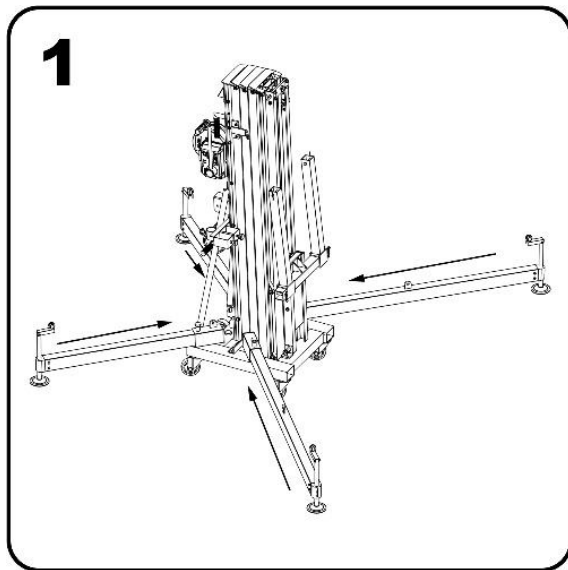


Figure 73

Fijar y asegurar las patas a la base.

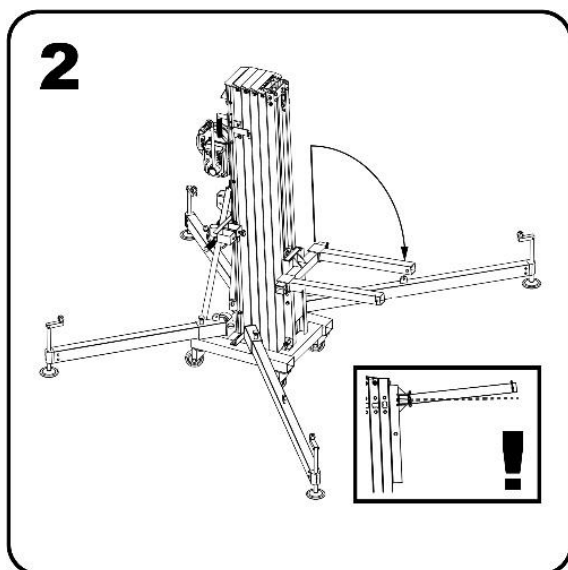


Figure 74

Girar los cuernos y ajustarlos al ancho deseado.
Asegurar el recorrido con los pasadores.

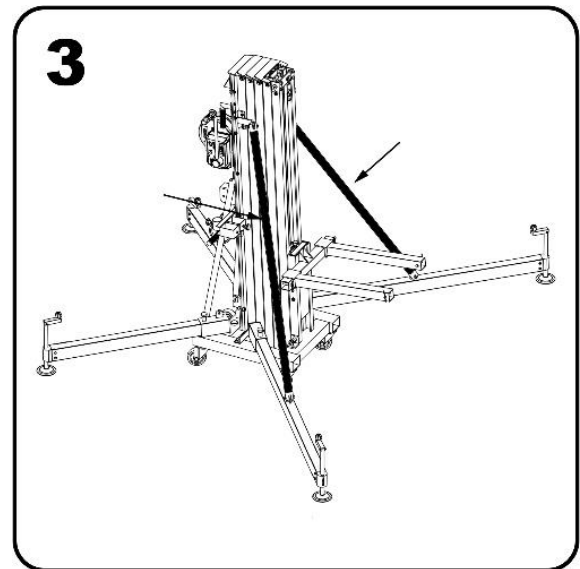


Figure 75

Colocar las barras de refuerzo y fijarlas con sus pasadores.

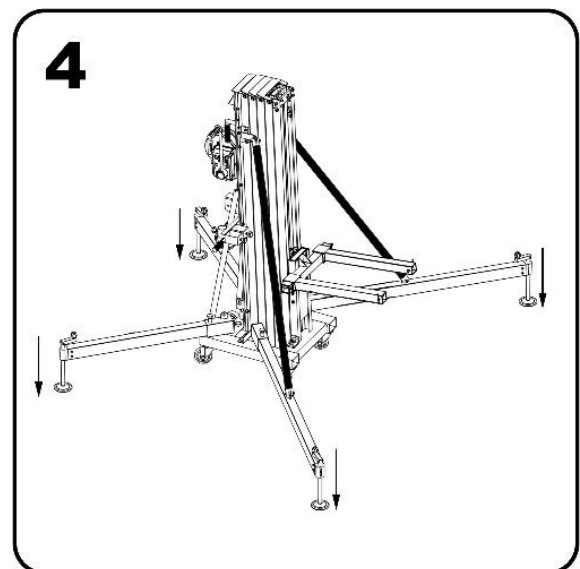


Figure 76

Colocar la torre en su posición de trabajo y nivelar hasta que el nivel de burbuja quede centrado. Las ruedas no deben tocar el suelo.

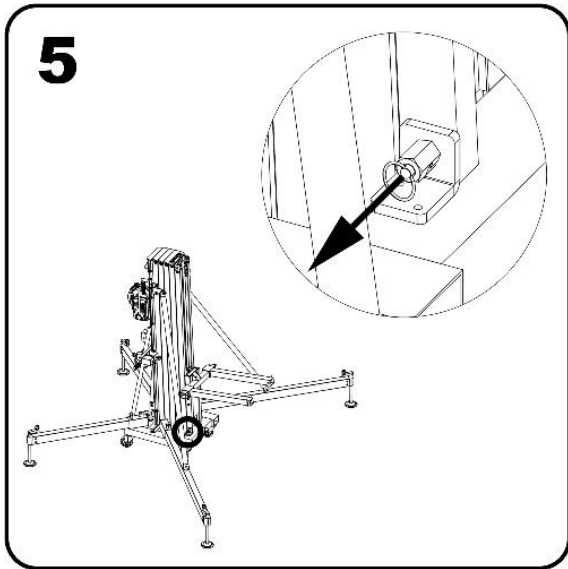


Figure 77

Desbloquear freno de seguridad del carro de aluminio.

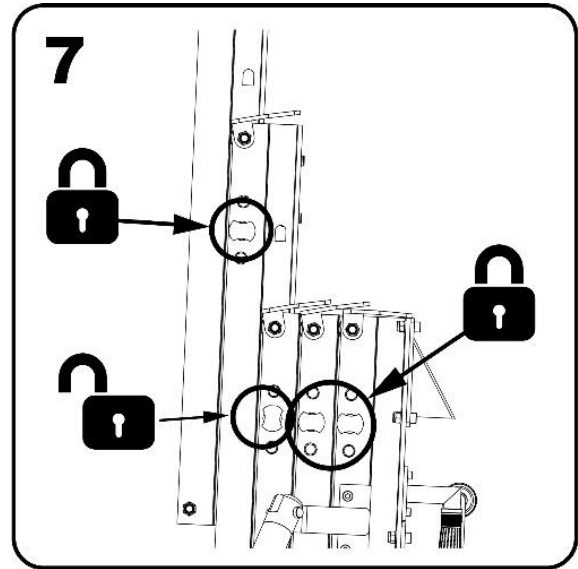


Figure 79

Cuando el tramo llegue a su final de carrera, bloquear con el sistema de seguridad y desbloquear el siguiente sistema de seguridad para elevar el siguiente mástil. Realizar la misma operación hasta llegar a la altura requerida.

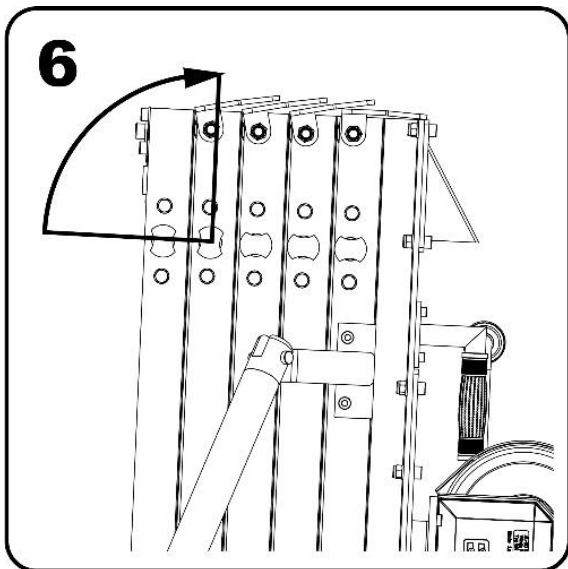


Figure 78

Desbloquear el sistema de seguridad del mástil.

Accionar la manivela del cabrestante para elevar el carro.

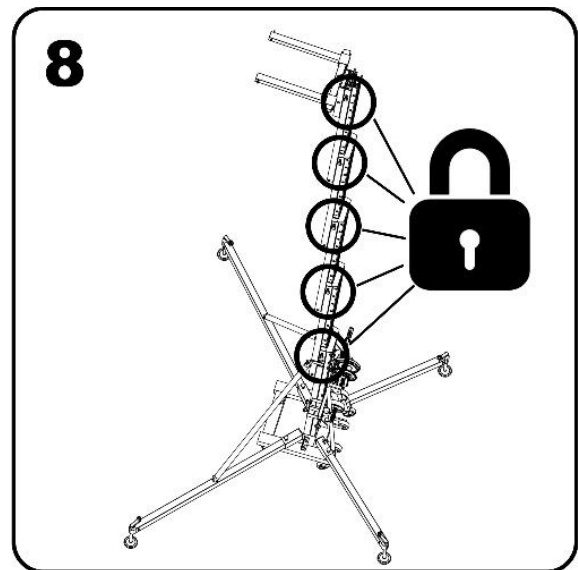


Figure 80

Todos los sistemas de seguridad deberán estar en su posición de bloqueo. Destensar el cable del cabrestante para que el sistema asiente.

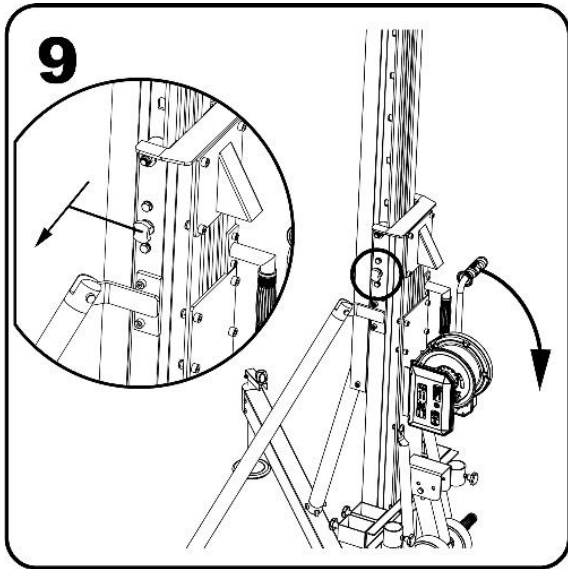


Figure 81

Para descender la carga. Tensar el cable y desbloquear el primer sistema de seguridad. Girar el cabrestante a la vez que se mantiene con la otra mano el desbloqueo del sistema de seguridad.

Una vez descendida la carga y bajado el carro. Bloquear el carro y seguir los pasos del 5 al 1.

ACCESORIOS

Las torres tienen una serie de accesorios disponibles.

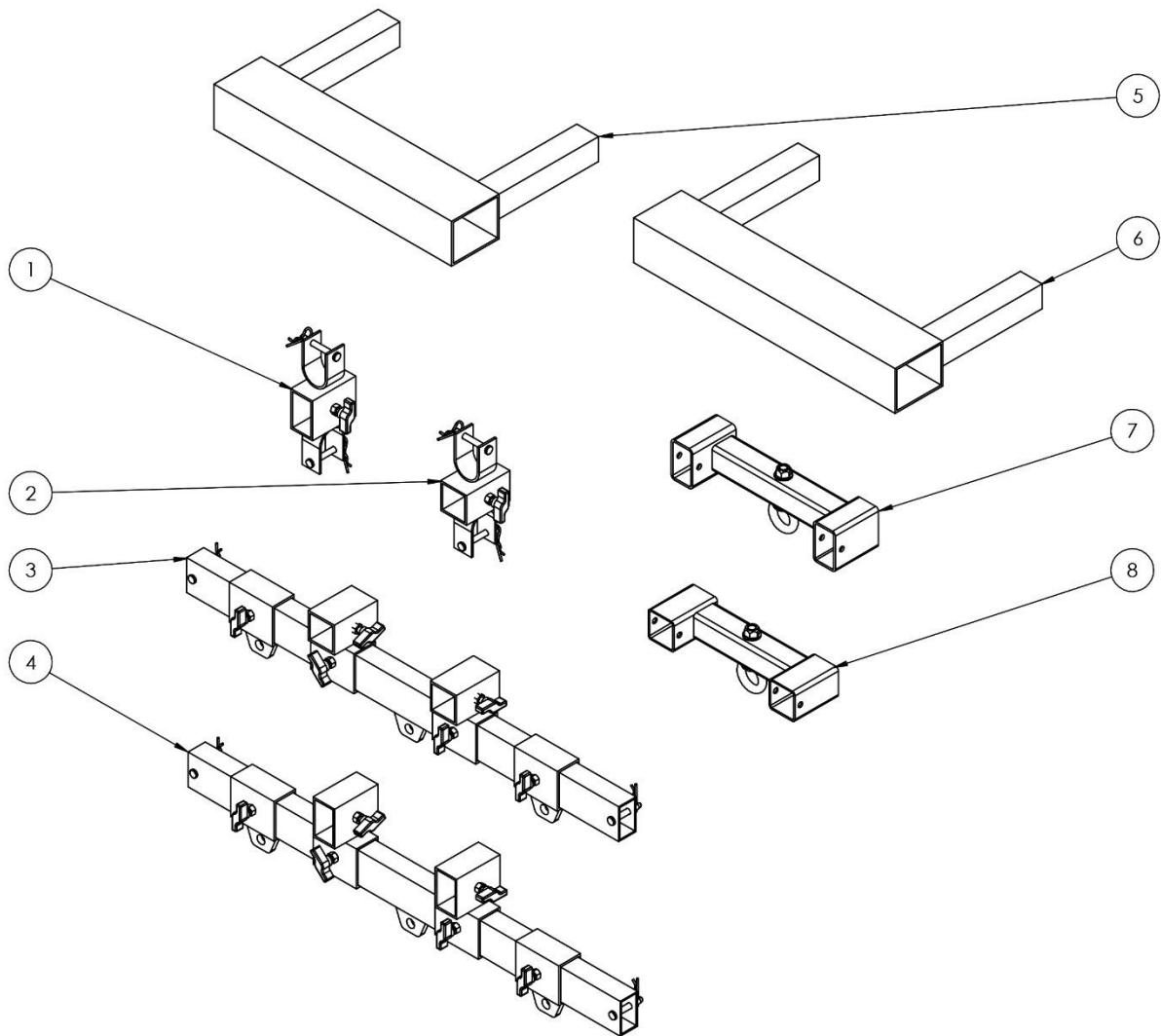


Figure 82

- | | | | | | |
|---|----------|---|----------|---|---------|
| 1 | ATF2DS | 4 | ATF08PAM | 7 | ATF17PA |
| 2 | ATF1DS | 5 | ATFT200 | 8 | ATF08PA |
| 3 | ATF17PAM | 6 | ATFT600 | | |

Los accesorios son compatibles con los siguientes modelos de torres.

ACCESORIO	FT6860	FT7045	FT6033	FT6520	FT5323
ATF1DS			X	X	X
ATF2DS	X	X			
ATF17PA			X	X	X
ATF08PA	X	X			
ATFT200			X	X	X
ATFT600	X	X			
ATF17PAM			X	X	X
ATF08PAM	X	X			

Figure 83

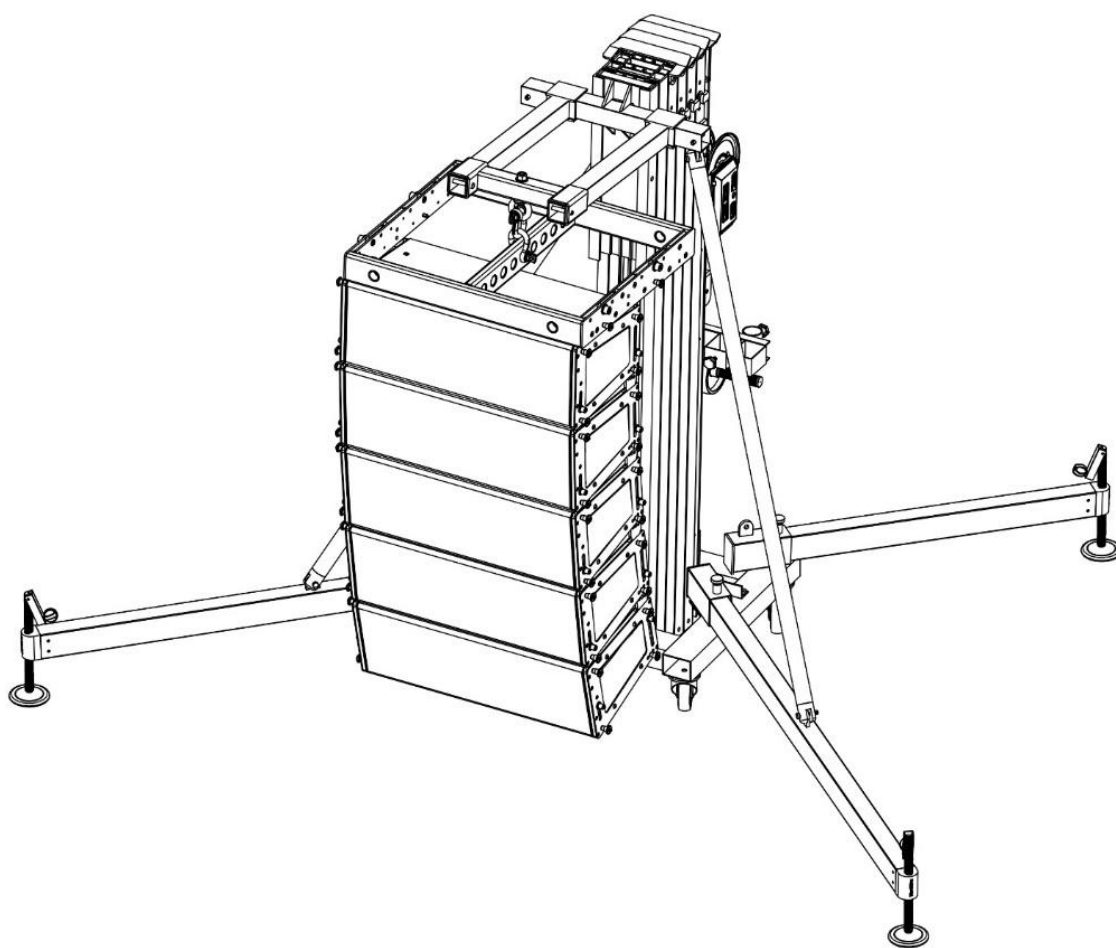


Figure 84

Ejemplo de torre FT6033 con accesorio ATF17PA.

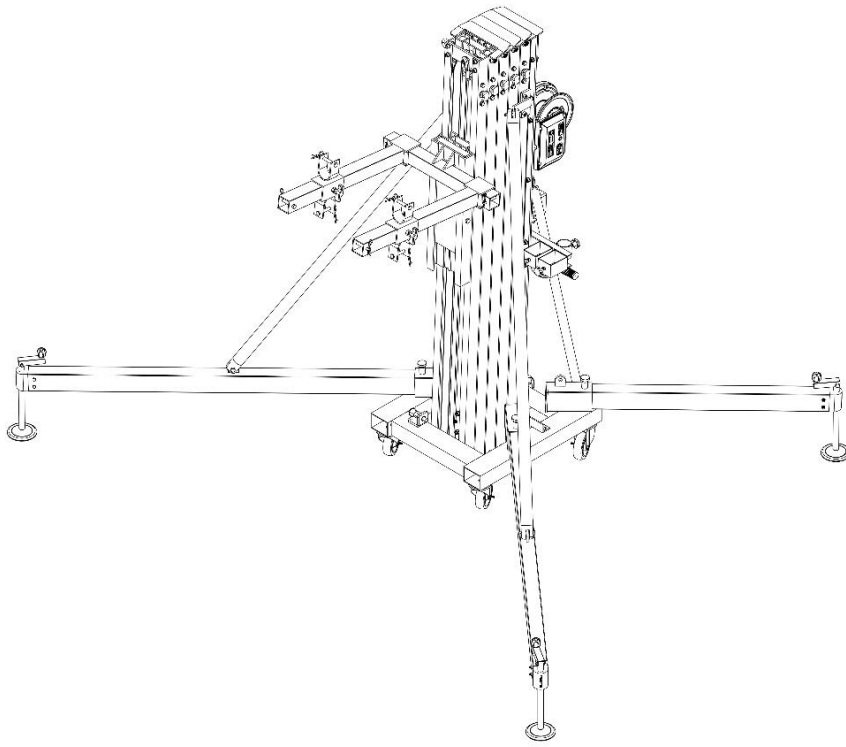


Figure 85

Ejemplo de torre FT6033 con accesorio ATF1DS.

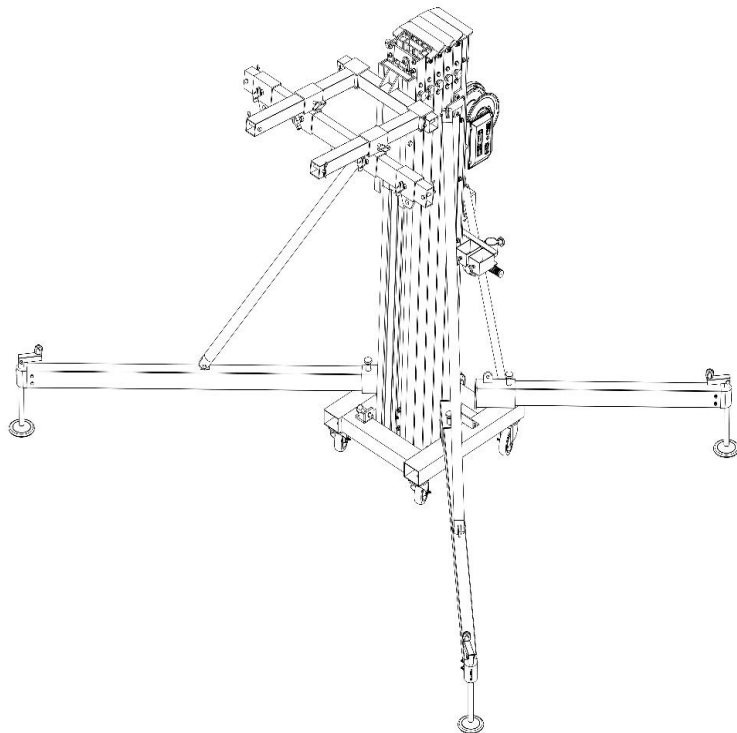


Figure 86

Ejemplo de torre FT6033 con accesorio ATF17PAM.

NORMATIVA TENIDA EN CUENTA

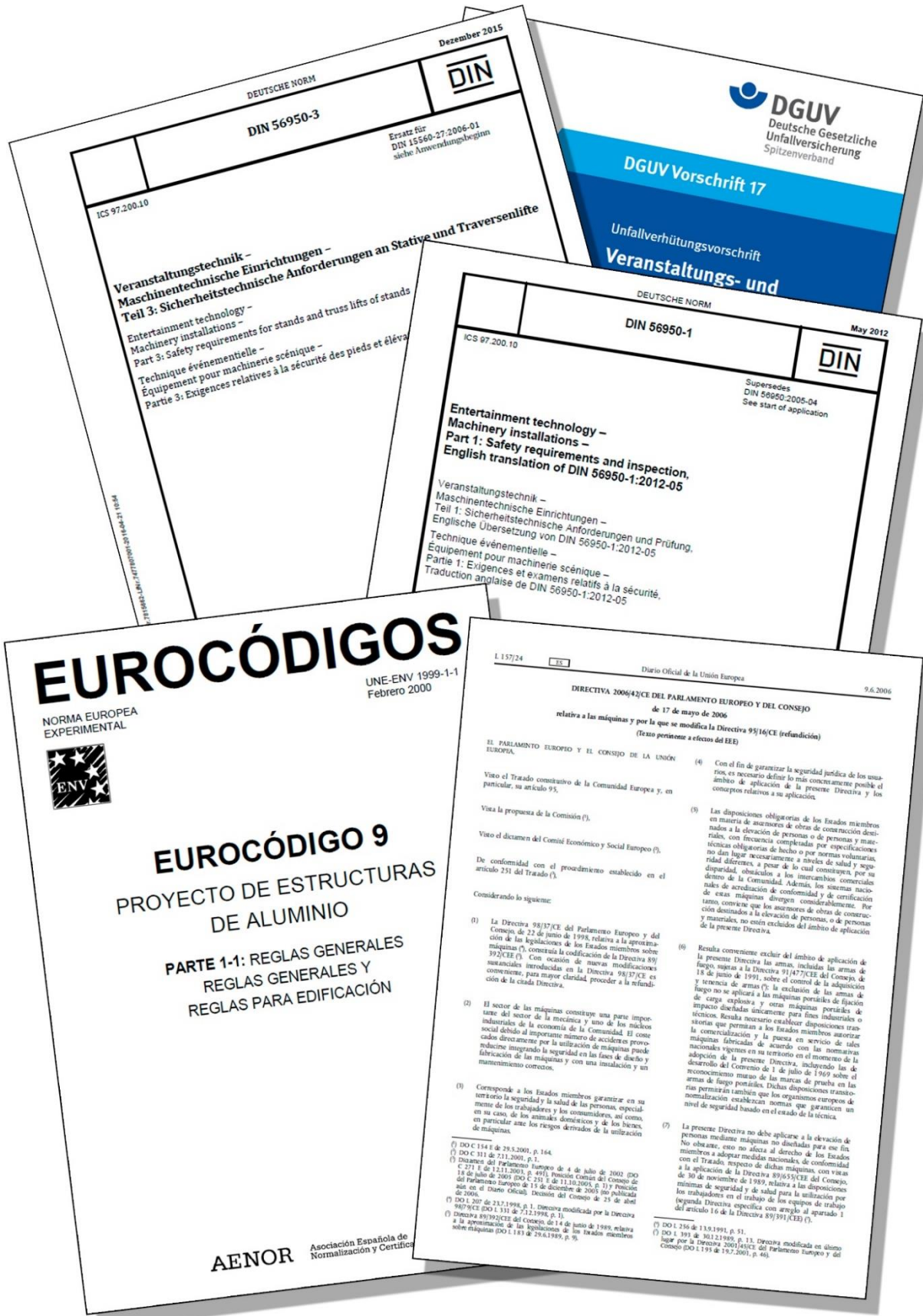


Figure 87

DATOS DE CARGA

Antes de colocar una carga, cerciorarse que ésta puede ser elevada hasta el máximo de altura de la torre. De lo contrario se podría producir un accidente.

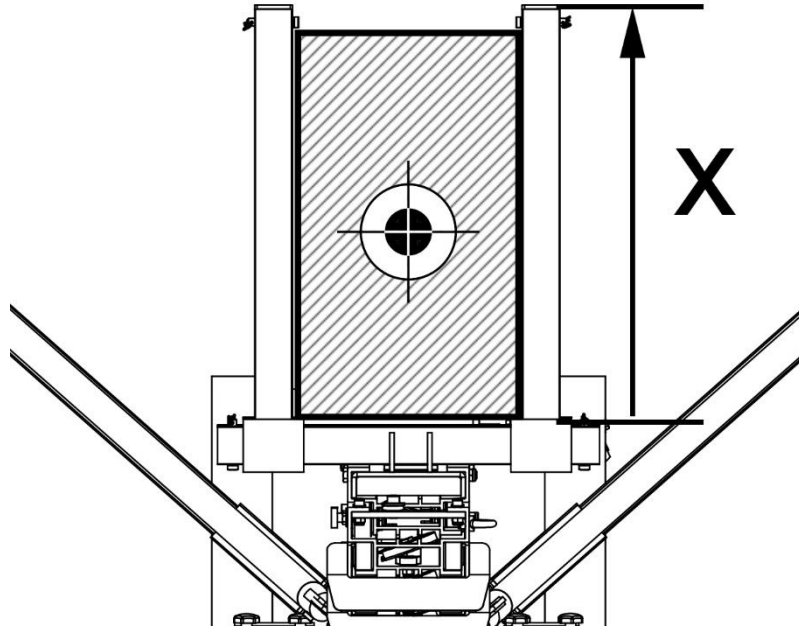


Figure 88

Detalle de ubicación de carga y como medir su posición.

UBICACIÓN DE CARGA.

4. Determinar la posición en la que la carga se va a posicionar y consultar la capacidad de la torre. No sobrepasar nunca.
5. La distancia "X" entre la carga se toma desde el carro hasta el final de los cuernos.
6. Siempre que sea posible. Posicionar la carga lo más cerca del carro. Esto prolonga la vida útil de la torre.

TORRE	X en P1 (mm / inch)	X en P2 (mm / inch)	X en P3 (mm / inch)	X en P4 (mm / inch)	X en P5 (mm / inch)
FT6860	85	270	450	635	820
	3.34	10.63	17.72	25	32.33
FT7045 / FT6033	100	260	425	580	
	3.93	10.23	16.73	22.83	
FT6520 / FT5323	95	225	355	485	
	3.74	8.85	13.97	19.1	

Figure 89

Detalle de la posición de cada punto de carga.

TABLA DE CARGA.

Los sistemas de elevación han sido diseñados de tal forma que las mayores cargas a soportar, quedan posicionadas en la zona central del cuerno. Permitiendo así un mejor aprovechamiento del sistema. A continuación, se pueden consultar las cargas máximas a soportar por cada modelo de torre para su máxima altura de trabajo.

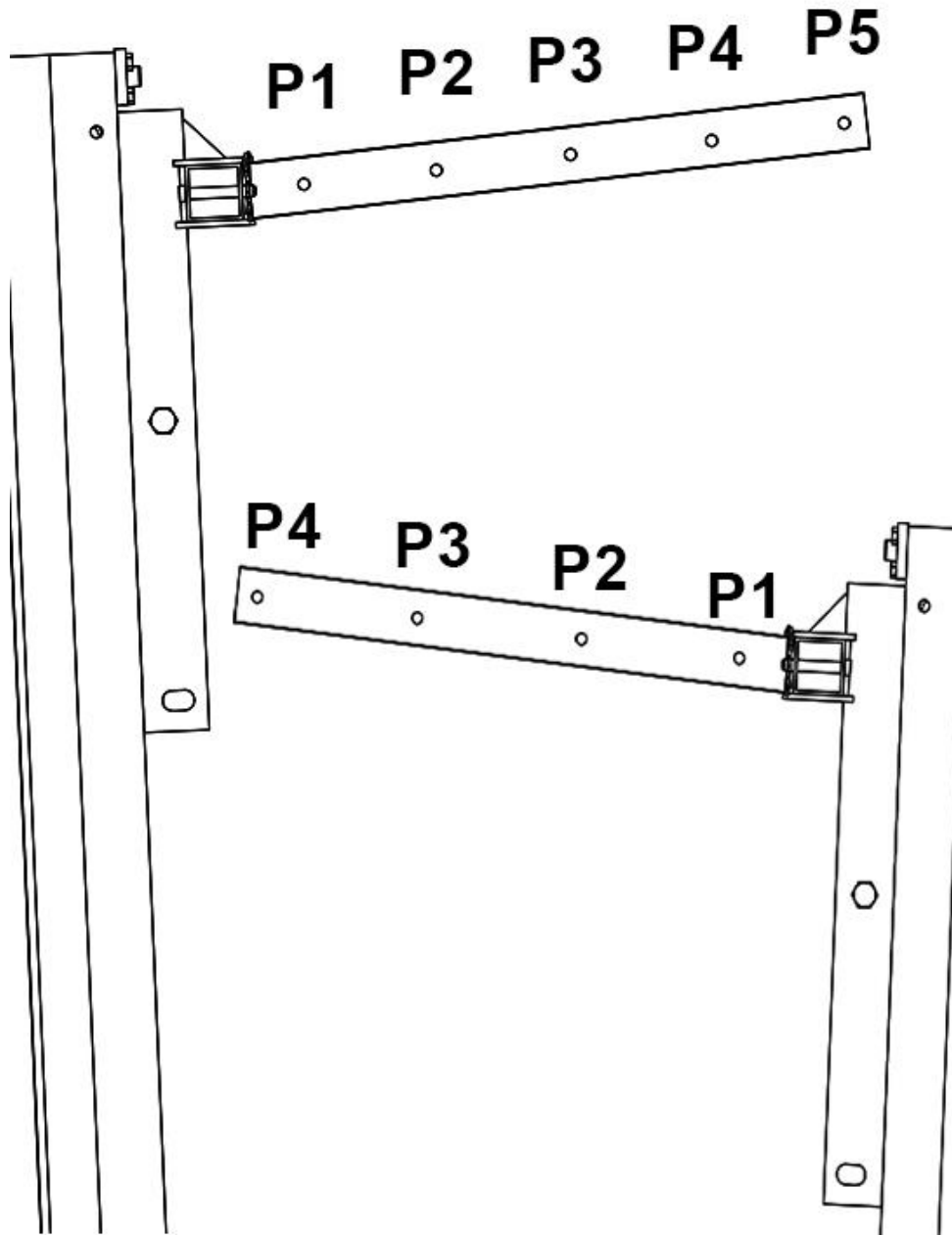


Figure 90

Detalle de posición de carga.

USO COMO MAQUINA.

La torre se comporta como una máquina cuando se eleva una carga haciendo uso del cabrestante como elemento de elevación. En este caso todas las partes de la torre se comportan como un mecanismo que se sirve de poleas, cables y guías para poder ejecutar la elevación de una carga a una determinada altura.

USO COMO ESTRUCTURA.

La torre se comporta como una estructura cuando quedan todos los tramos bloqueados de tal manera que el cable queda sin tensión. En este caso el sistema de bloqueo, junto con los perfiles, base y patas actúan como una columna soporte de la cual se pueden colgar cargas utilizando algún elemento de apoyo como pueden ser motores de cadena o polipastos manuales.

USO COMO MAQUINA SIN TIRANTES.

Este uso queda restringido a construcciones en las que se disponga de dos torres que queden enfrentadas una con la otra de forma que, unidas por una estructura tipo truss, queden fijas. Nunca utilizar las tablas de carga con las torres colocadas en paralelo.

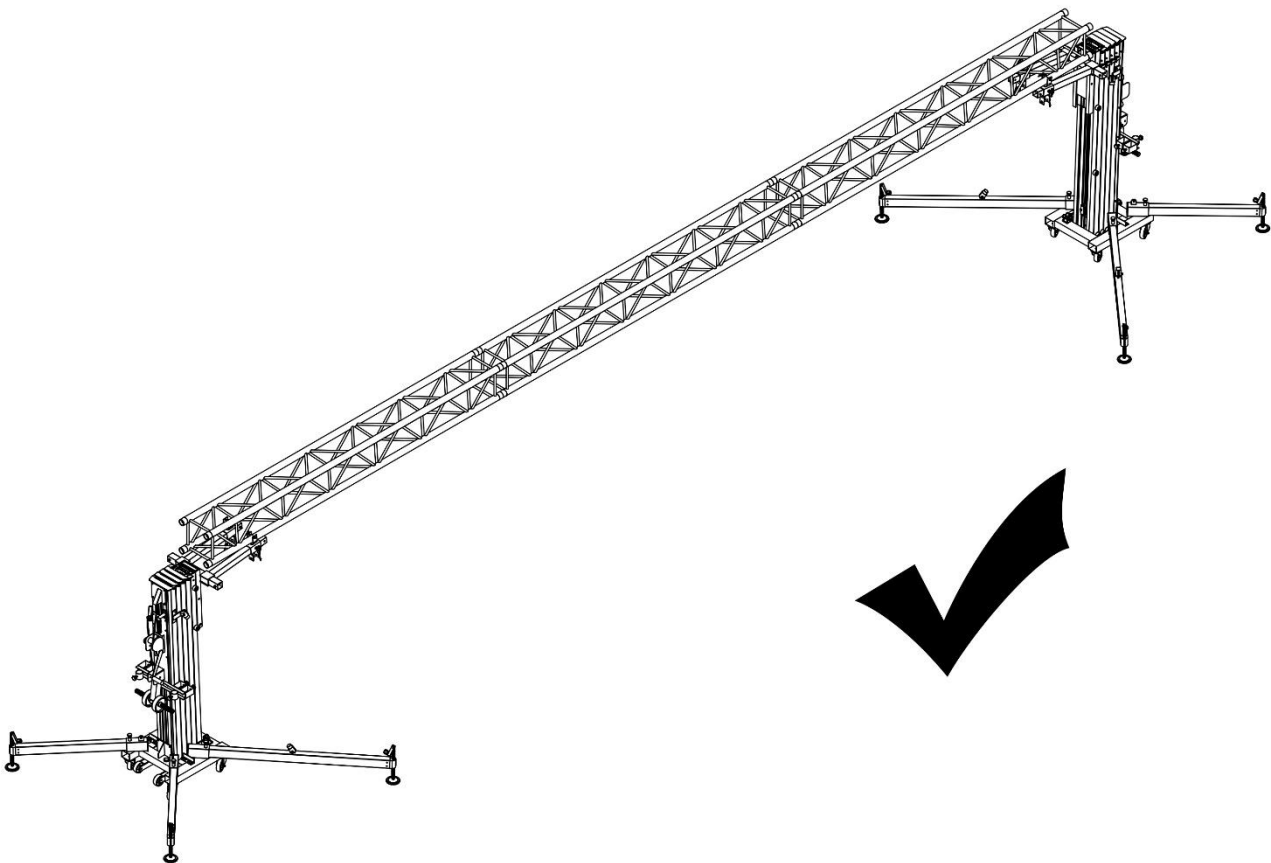


Figure 91

Posición correcta de las torres para uso sin tirantes.

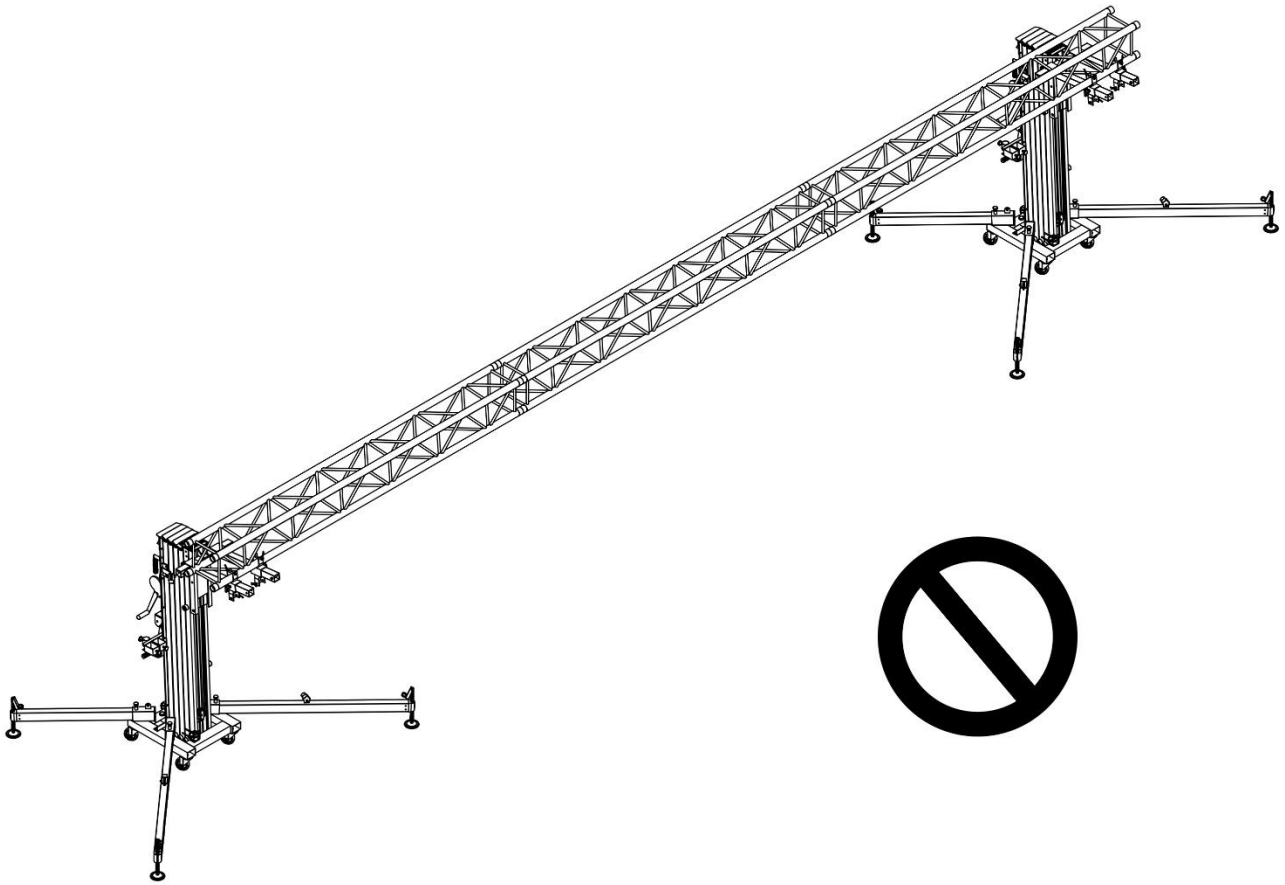


Figure 92

Posición incorrecta de las torres para uso sin tirantes.

		COMO MAQUINA					COMO ESTRUCTURA					SIN TIRANTES				
		P1	P2	P3	P4	P5	P1	P2	P3	P4	P5	P1	P2	P3	P4	P5
FT-6860	lbs	1323	1257	1180	1113	1036	1885	1775	1609	1268	1036	815	738	661	584	507
	kg	600	570	535	505	470	855	805	730	575	470	370	335	300	265	230
FT-7045	lbs	992	849	705	562	X	1135	882	716	562	X	716	595	474	353	X
	kg	450	385	320	255	X	515	400	325	255	X	325	270	215	160	X
FT-6033	lbs	728	661	595	518	X	1003	871	683	529	X	551	485	419	353	X
	kg	330	300	270	235	X	455	395	310	240	X	250	220	190	160	X
FT-6520	lbs	441	436	432	428	X	794	771	617	485	X	264	229	194	158	X
	kg	200	198	196	194	X	360	350	280	220	X	120	104	88	72	X
FT-5323	lbs	518	496	474	452	X	1003	838	772	452	X	330	286	242	198	X
	kg	235	225	215	205	X	455	380	350	305	X	150	130	110	90	X

Figure 93

Tabla de cargas

Grado de compactación del suelo.

Las superficies como la tierra dura o gravilla pueden variar su resistencia dependiendo de la humedad relativa. Esta humedad relativa varía a lo largo del día, por lo que, la resistencia del suelo para absorber el esfuerzo de la torre cargada, también. Posicionar una torre en estas condiciones puede resultar en que el suelo ceda debajo de los apoyos de la torre. Pudiendo ocasionar un grave accidente.

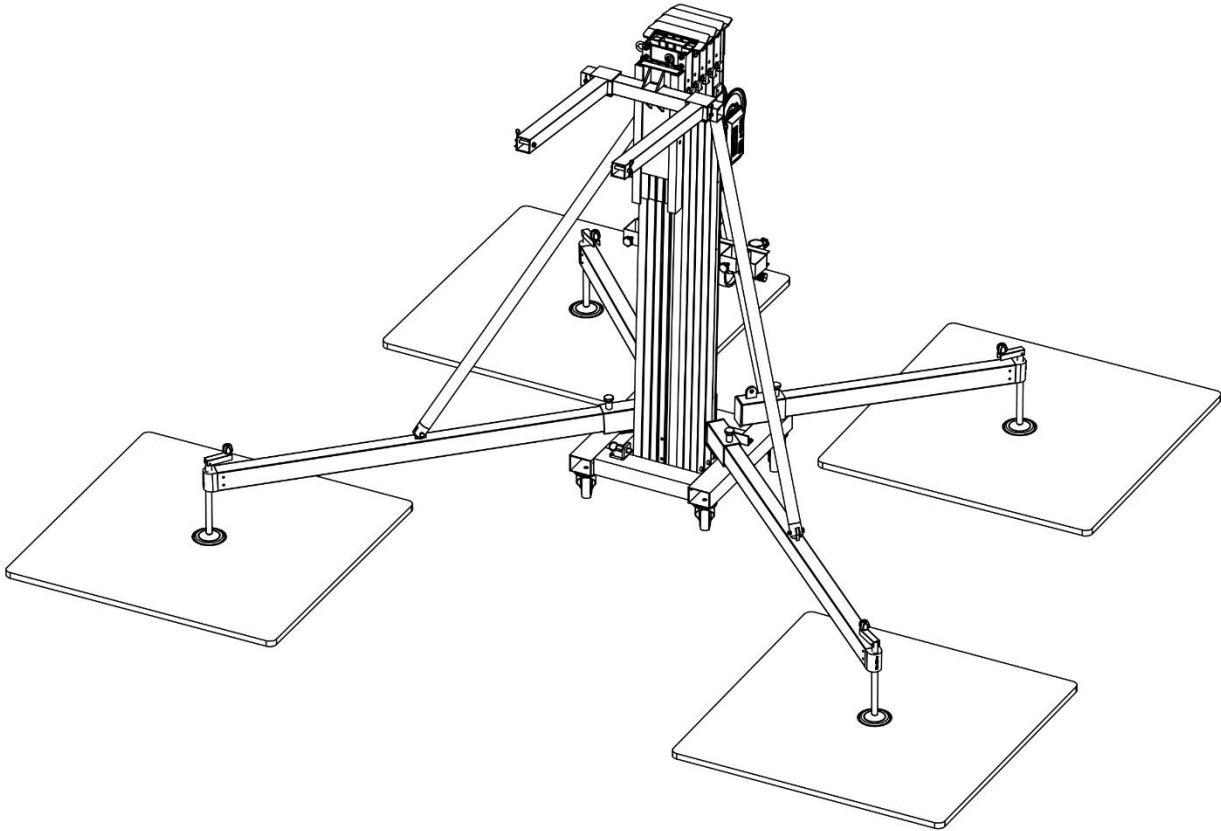


Figure 94

Detalle de ubicación de las planchas. El apoyo debe quedar centrado respecto de la plancha.

Para evitar esto se aconseja poner bases en los apoyos, que faciliten el reparto uniforme en el suelo. Ampliando así, la superficie de contacto de cada apoyo. En la siguiente tabla se especifica el área mínima de estas superficies.

MODELO DE TORRE	Longitud en metros del lateral de la plancha cuadrada, arreglo a los kg/m ² que deriva al suelo en cada plancha		
	150 Kg/m ²	250 Kg/m ²	350 Kg/m ²
FT-6860	1.2	0.9	0.8
FT-7045	1	0.8	0.6
FT-6033	0.8	0.6	0.5
FT-6520	0.8	0.6	0.5
FT-5323	0.8	0.6	0.5

Figure 95

SISTEMA DYNSSYS

El sistema Dynsys es una solución opcional para el control de la carga máxima en los sistemas de elevación.

El Dynsys limita la carga máxima de la torre evitando elevar una carga superior a la especificada como uso como máquina. Para más información sobre la carga máxima, consultar la tabla de cargas.

En caso de elevar una carga superior a la máxima, el Dynsys detecta el aumento de carga y evita que se pueda subir ésta. Permitiendo sólo la bajada.

En caso de limitar la carga, el Dynsys genera un sonido completamente perceptible, que evita la subida de la carga y avisa que la carga es superior a la máxima.

El sistema Dynsys funciona como elemento de mantenimiento preventivo. En caso de que la torre tenga algún desperfecto interior y obligue al sistema a funcionar de forma forzada, la carga máxima se puede ver afectada reduciéndose hasta el punto en el que la torre no vea comprometida la integridad de sus componentes internos (cable, poleas, perfiles, etc..). Si esto ocurre, ponerse en contacto con el departamento técnico o con su distribuidor más cercano.

El sistema permite el desmontaje de la manivela, permitiendo así el bloqueo de la torre. De esta forma se evita que personal ajeno a la instalación pueda manipular la torre subiendo o bajando ésta. Sólo se deben quitar los dos tornillos allen.

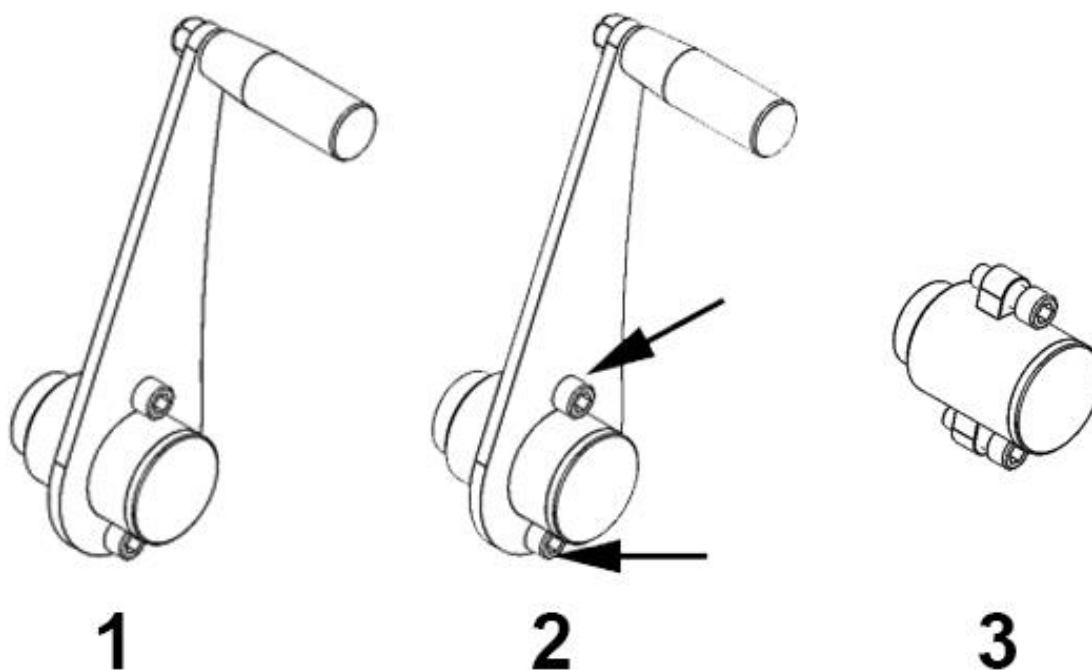


Figure 96

MANTENIMIENTO

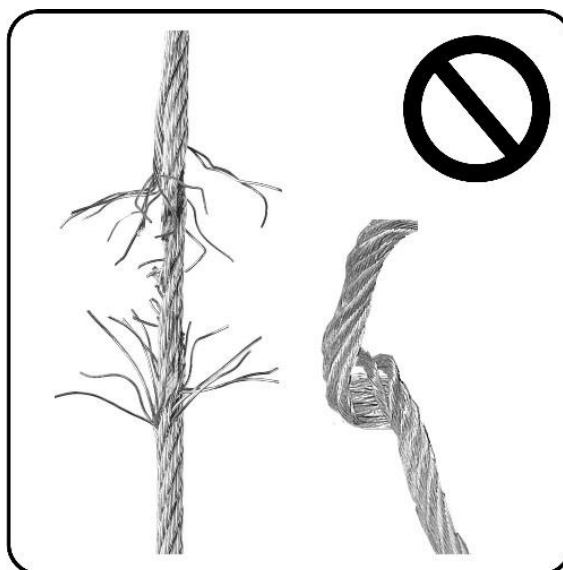


Figure 97

Detalle de cables defectuosos.

Comprobar de forma periódica el estado del cable. Asegurar siempre que la primera capa de cable queda enrollado de forma compacta y uniforme en el tambor del cabrestante. Si el cable presenta rotura de hilos o aplastamiento, debe ser sustituido inmediatamente por otro nuevo. No utilizar la torre con un cable en mal estado. En caso de duda contactar con Fantek Industrial S.L.

En caso de sustitución de piezas. Sustituir piezas sólo originales de Fantek Industrial S.L. En otro caso, la garantía queda anulada.

Se recomienda una revisión de la torre por el personal especializado de Fantek Industrial S.L. una vez al año.

Para solicitar cualquier repuesto se deberá adjuntar la referencia de pieza que se incluye en el manual de recambios que se puede solicitar a su distribuidor más cercano.

TRANSPORTE

Para el transporte de las torres:

- Comprobar que las patas están bien fijadas a la torre en su posición de transporte y que no pueden soltarse.
- Comprobar que los cuernos están bien fijados con los pasadores y no pueden salirse.
- Comprobar que el carro está bien fijado con el sistema de freno de carro.
- Comprobar que todos los tramos están bloqueados.

Con carretilla elevadora

Para transportar las torres con una máquina tipo carretilla elevadora es necesario el accesorio ATCTPA. Seguir indicaciones del manual de operario de la máquina de transporte. Tener en cuenta la altura de lo que se transporta. Evitar giros y frenados bruscos.

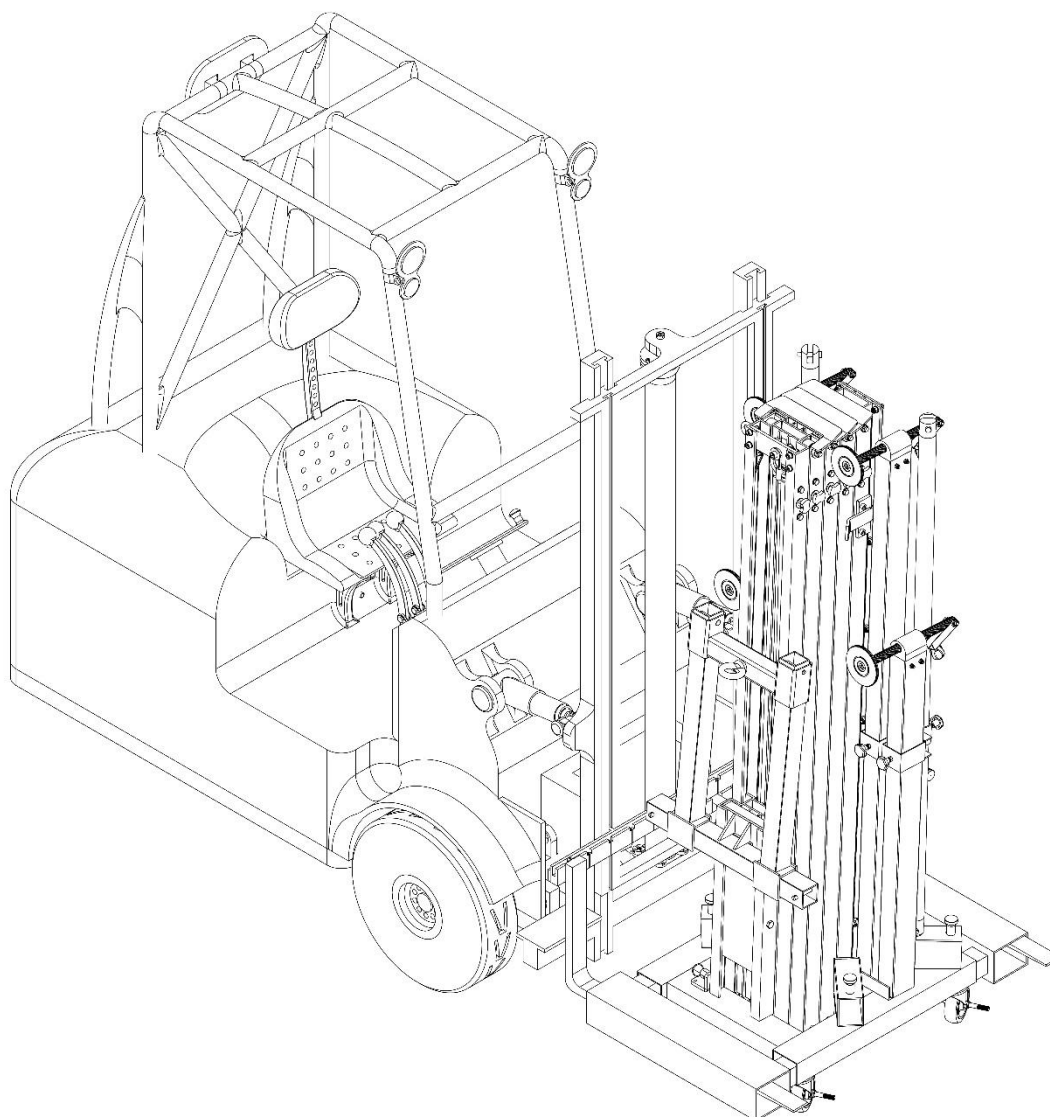


Figure 98

Detalle de transporte con torito.

Con camión o contenedor.

Para el transporte en camión o contenedor, amarrar la torre siempre por dos puntos. Utilizar cricas no inferiores a 1000 kg de fuerza para los modelos T-117PA, T-118PA y T-200PA. Utilizar cricas no inferiores a 2000 kg de fuerza para los modelos T-600PA y T-108PA.

Colocar las cricas de forma que la torre no pueda moverse por inercia en curvas o frenados bruscos.

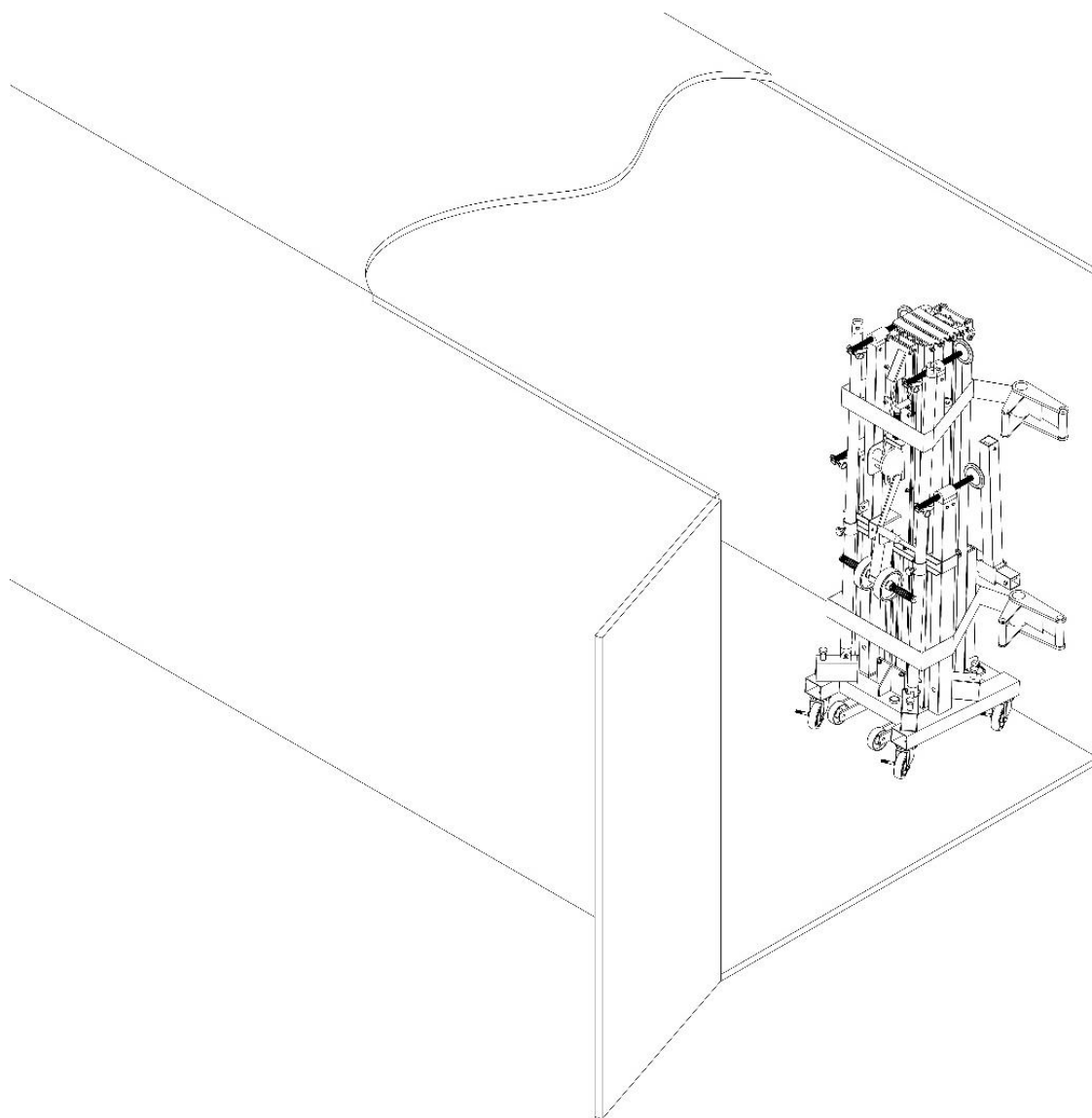


Figure 99

Detalle de ubicación de torre y forma de sujeción.

En horizontal

Para el transporte horizontal se debe accionar la rueda volante superior de forma que sobresalga de la torre. Una vez preparada y con la certeza de que todos los elementos móviles están sujetos (patas, carro, etc...), volcar la torre entre las personas necesarias hasta que la rueda volante superior contacte con el suelo.

Se debe tener en cuenta que estas ruedas son de alma maciza. Por lo que, el suelo debe ser preferentemente lo suficientemente sólido como para que las ruedas puedan girar con completa libertad.

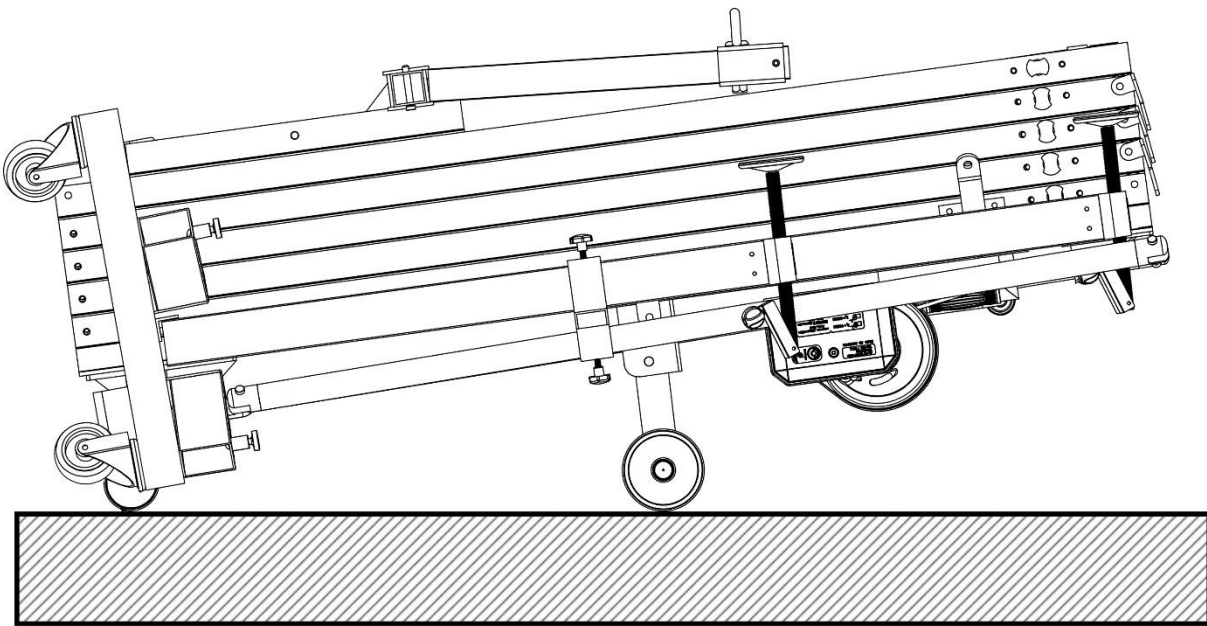


Figure 100

Detalle de ubicación de la torre para su transporte en formato vertical

NORMA DGUV V17/18 REGULATION. Explicación

DGUV V17/18 (antes BGVC1), es una norma que regula los elementos de escenario y producción en la industria del entretenimiento. Los equipos de elevación y rigging son parte de esta norma y cubren estructuras y otros elementos técnicos.

Adoptar la norma **DGUV V17/18** es totalmente voluntaria (excepto en Alemania) pero su adopción se requiere generalmente por compañías aseguradoras y de hecho se está convirtiendo en una norma en la industria.

La aplicación de esta norma sobre las torres elevadoras es vital debido a que, en teatros, escenarios, etc., se usan para mover cargas sobre artistas, personal técnico etc., y en algunos casos sobre espectadores, representando un riesgo potencial de caída.

NORMA DGUV V17/18. Campos de aplicación

Esta norma está orientada de dos maneras:

Por un lado, las torres elevadoras adoptan diseños y materiales con el objeto de conseguir un alto grado de seguridad en magnitudes tales como carga soportada, equilibrio, resistencia a la fricción, etc.

Así las torres elevadoras **FANTEK** certificadas **DGUV V17/18**, aseguran al usuario que han pasado estrictos controles durante su diseño, elección de materiales o verificaciones de carga y esfuerzo.

Por otro lado, con el fin de conseguir un funcionamiento óptimo con estas unidades, es recomendable, además de un uso responsable de la unidad, (cumpliendo unas normas básicas como son obedecer la carga máxima soportada o su equilibrio), un mantenimiento periódico el cual debe ser llevado a cabo por técnicos expertos, comprobando el buen estado del cable de acero y cabrestante, el funcionamiento de los pasadores de seguridad y el plegado/desplegado del sistema completo de perfiles.

Todos los test mencionados solo son obligatorios en aquellos países con regulación específica en la materia, aplicada mediante regulaciones o leyes. Como fabricantes, recomendamos pasar todos los test con el objetivo de prevenir cualquier daño y asegurar un buen funcionamiento de los sistemas de elevación.

ESPECIFICACIONES / ESPECIFICATIONS

Modelo / Model	FT-6860		FT-7045		FT-6033		FT-6520		FT-5323	
Altura	1980	mm	1700	mm	1700	mm	1710	mm	1710	mm
Height	77,95	ft	5,58	ft	5,58	ft	5,61	ft	5,61	ft
Máxima altura	6800	mm	7000	mm	6000	mm	6500	mm	5300	mm
Maximum height	22,31	ft	23,21	ft	16,69	ft	21,33	ft	17,39	ft
Anchura	580	mm	520	mm	520	mm	440	mm	440	mm
Width	22,3	in	20,5	in	20,5	in	17,3	in	17,3	in
Longitud	900	mm	700	mm	700	mm	600	mm	600	mm
Length	35,3	in	27,6	in	27,6	in	23,6	in	23,6	in
Anchura patas desplegadas	2170	mm	2300	mm	2300	mm	1950	mm	1950	mm
Width- stabilizers lowered	85,4	in	90,6	in	90,6	in	76,8	in	76,8	in
Longitud patas desplegadas	1830	mm	1760	mm	1760	mm	1340	mm	1340	mm
Length operating	72,1	in	69,3	in	69,3	in	52,7	in	52,7	in
Hueco base suelo	50	mm	50	mm	50	mm	50	mm	50	mm
Ground clearance	1,97	in	1,97	in	1,97	in	1,97	in	1,97	in
Brazo de carga	945	mm	650	mm	650	mm	500	mm	500	mm
Loading fork	37,20	in	25,59	in	25,59	in	19,65	in	19,65	in
Carga mínima	25	Kg	25	Kg	25	Kg	25	Kg	25	Kg
Minimum load capacity	55,12	Lb	55,12	Lb	55,12	Lb	55,12	Lb	55,12	Lb
Carga máxima máquina	600	Kg	450	Kg	330	Kg	200	Kg	235	Kg
Max. load as machine	1322,8	Lb	992,1	Lb	727,5	Lb	440,9	Lb	518,1	Lb
Carga máxima estructura	855	Kg	515	Kg	455	Kg	360	Kg	455	Kg
Max. load as structure	1885	Lb	1135	Lb	1003,1	Lb	793,6	Lb	1003,1	Lb
Peso neto	255	Kg	165	Kg	156	Kg	112	Kg	101	Kg
Net weight	562,2	Lb	363,8	Lb	343,9	Lb	246,9	Lb	222,7	Lb
Cabrestante	1200	Kg	900	Kg	900	Kg	1200	Kg	1200	Kg
Winch	2645,5	Lb	1984,2	Lb	1984,2	Lb	2645,5	Lb	2645,5	Lb
Emisiones de ruido	70	dB	70	dB	70	dB	71	dB	73	dB
Noise emissions										

Figure 101

DECLARACION DE CONFORMIDAD / DECLARATION OF CONFORMITY

Las torres elevadoras descritas cumplen con todos los requerimientos específicos en la directiva 2006/42/EC del Parlamento Europeo y del Consejo de 17 de mayo de 2006 relativo a la Directiva de máquinas.

The tower lifters described complies with all the specific requirements of Directive 2006/42 / EC of the European Parliament and of the Council of 17 May 2006 on the Machinery Directive.

Las torres elevadoras descritas cumplen con todos los requerimientos específicos en la DIN56950:1/3.

The tower lifters described meet all the specific requirements in DIN56950: 1/3.

Las torres elevadoras descritas cumplen con todos los requerimientos específicos en la DGUV V17/18

The tower lifters described meet all the specific requirements in DGUV V17/18

Fabricante / Manufacturer:

FANTEK INDUSTRIAL S.L.

Persona responsable de recopilar la información técnica

Jose Vila Ortiz

Person responsible of the technical data:

Dirección / Address:

Pol. Ind. El Bony. C/Del Port nº3.
46470 – Catarroja – Valencia (Spain)

Descripción / Description:

Frontal load lifter

MODELO / MODEL FT-6860

MAX. LOAD: 855 kg

MODELO / MODEL FT-7045

MAX. LOAD: 514 kg

MODELO / MODEL FT-6033

MAX. LOAD: 455 kg

MODELO / MODEL FT-6520

MAX. LOAD: 360 kg

MODELO / MODEL FT-5323

MAX. LOAD: 455 kg



Jose Vila Ortiz, Julio 2016

MARCADO DGUV / DGUV MARK

NUMERO DE SERIE:	SERIAL NUMBER:	LAUFENDE NUMMER:

Primer test en fábrica	First test in factory.	Erstprüfung im Werk.
Fecha/Date/Datum	Testado por/Tested by/Prüfer	

Examen a los cuatro años.	Four years test	UVV Prüfung (alle 4Jahre)
Fecha/Date/Datum	Testado por/Tested by/Prüfer	

Examen anual a partir del cuarto año.	Annual test after the fourth year.	UVV Jährlicher Test nach dem vierten Jahr.
Fecha/Date/Datum	Testado por/Tested by/Prüfer	

Fecha/Date/Datum	Testado por/Tested by/Prüfer
Fecha/Date/Datum	Testado por/Tested by/Prüfer
Fecha/Date/Datum	Testado por/Tested by/Prüfer
Fecha/Date/Datum	Testado por/Tested by/Prüfer

Fecha/Date/Datum	Testado por/Tested by/Prüfer